

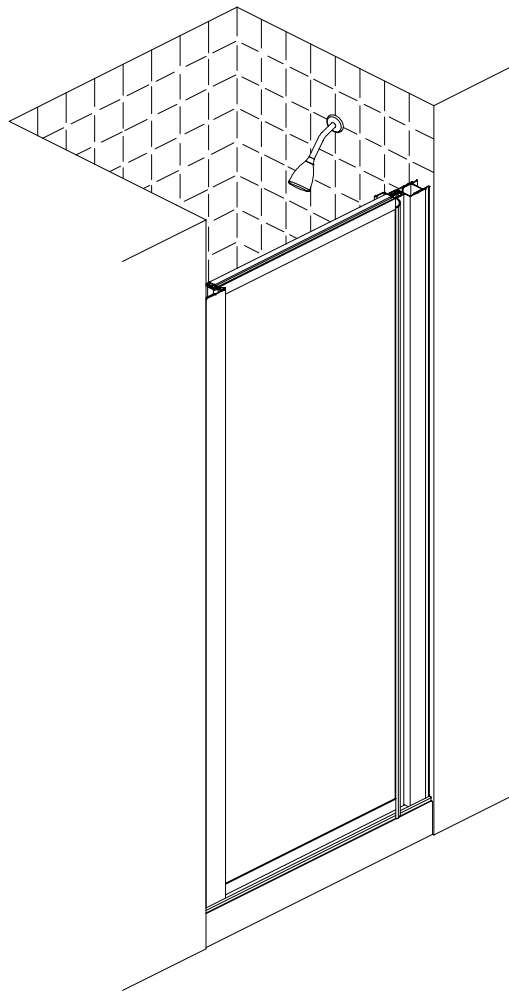


# Hinged Shower Door

## 2800 Series

### INSTALLATION INSTRUCTIONS

*Please read these instructions carefully to familiarize yourself with the required tools, materials, and installation sequences. The Exploded Diagram of the door on page 2 will also provide a helpful reference when relating the location of the various parts.*



**IMPORTANT:** You should check with your local plumbing or building code agency about this product for compliance before it is installed.

---

#### basic tools and materials needed

##### TOOLS

Measuring Tape  
Hacksaw with 32 Teeth per inch Blade  
Electric Drill  
Drill Bit- $\frac{3}{16}$ "  
Masonry Bit for Ceramic Tile- $\frac{3}{16}$ "  
Screwdriver-Phillips  
Level  
Fine File  
Scissors or Knife  
Pencil  
Center Punch  
Hammer  
Safety Glasses  
Caulking Gun

##### MATERIALS

Caulk  
Masking Tape

##### how to care for your door

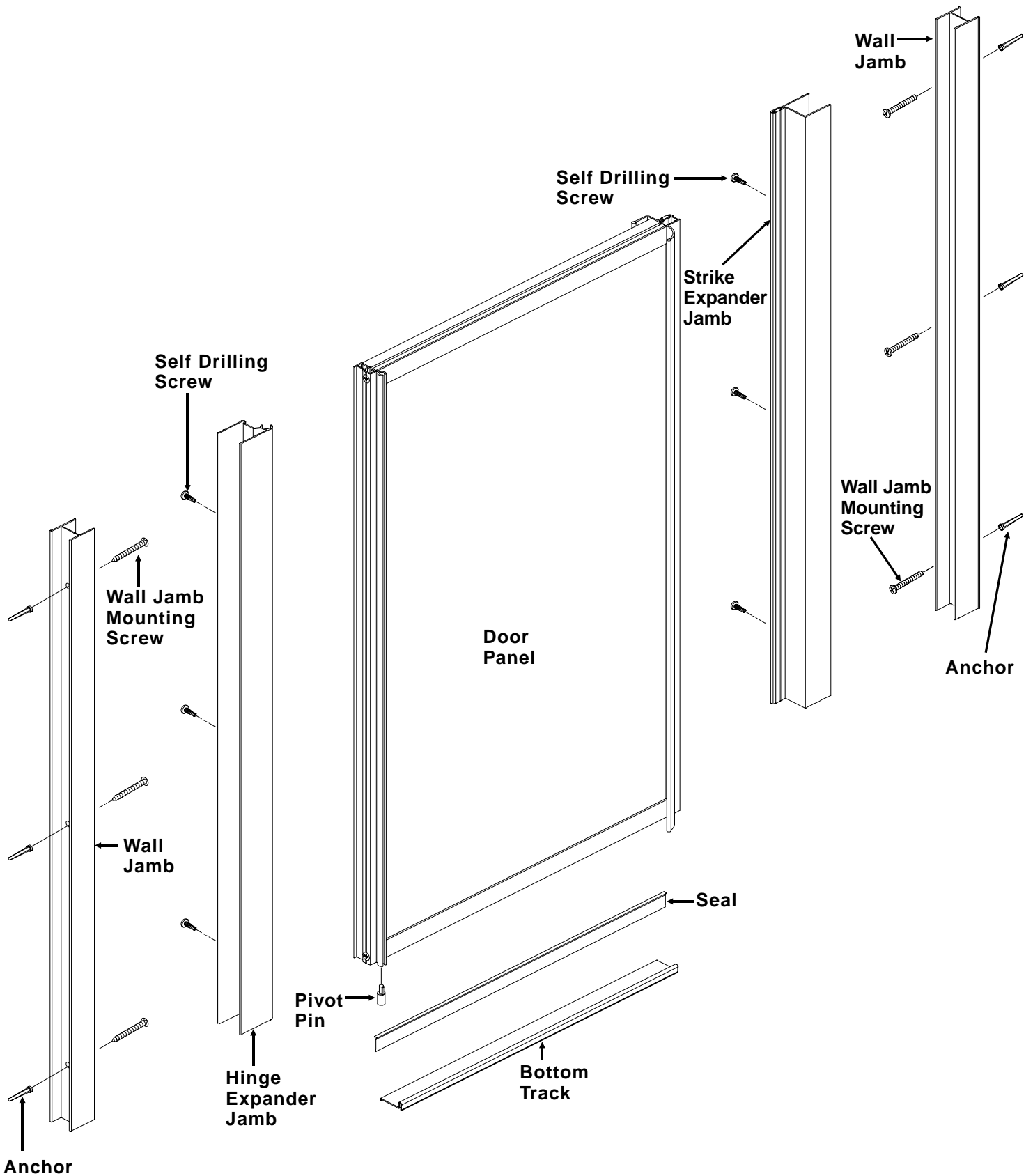
NEVER USE SCOURING POWDER, PADS OR SHARP INSTRUMENTS ON METAL WORK OR GLASS PANELS.

The use of a squeegee following each shower is recommended to eliminate water spots on the inside of the glass panels.

An occasional wiping down with a mild detergent diluted in water is all that is needed to keep the panels and anodized aluminum parts looking new.

**CAUTION: TEMPERED GLASS CAN NOT BE CUT.**

# PART NAMES FOR INSTALLATION



# 1 MEASURING AND CUTTING BOTTOM TRACK

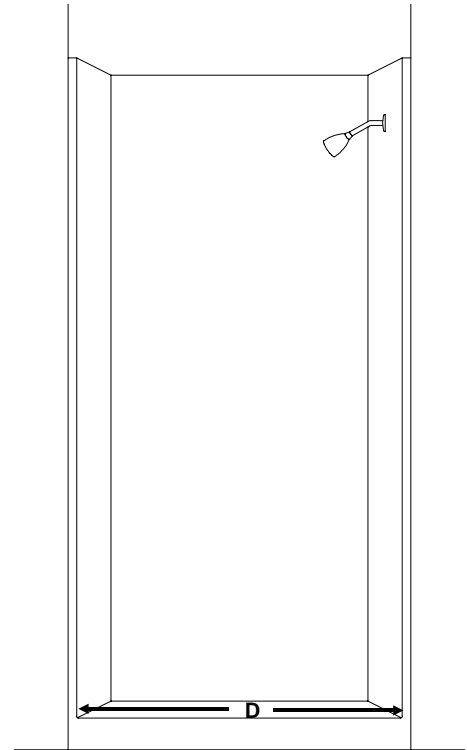
**Note: Wear Safety Glasses.**

**IMPORTANT: If your stall has a curve in the corners at the side walls, be sure to measure distance D above the curves and cut bottom track  $\frac{1}{16}$ " shorter than distance D.**

- A. Measure distance D at the flattest part of the shower ledge.

**(CAUTION: If a steel tape is used, be sure to add the width of the case to the measurement).**

- B. Cut the bottom track  $\frac{1}{16}$ " shorter than distance D.
- C. For best results, use a 32 tooth hacksaw blade and a miter box. File rough edges smooth.

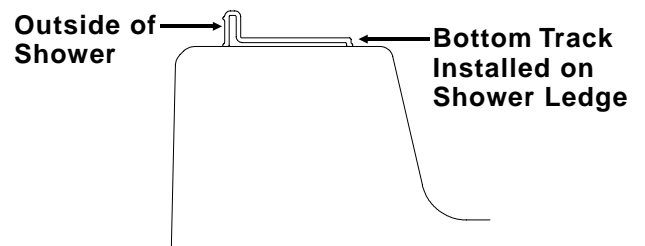
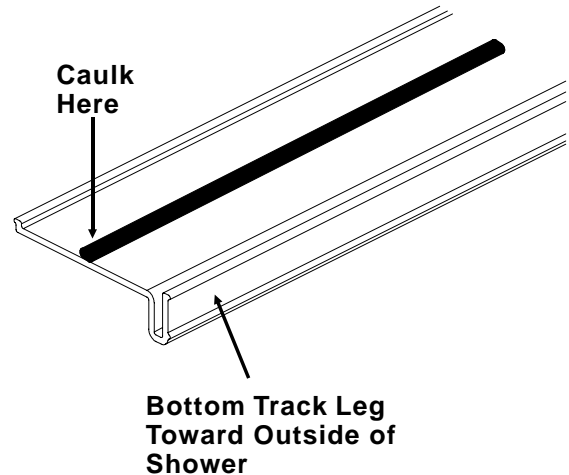


# 2 LOCATING AND INSTALLING BOTTOM TRACK

- A. Place the bottom track on the flattest part of the shower ledge with the leg of track toward the outside of the shower as shown.

**IMPORTANT: The bottom track must sit flat on the shower ledge. If your ledge has a curve in the corners at the side walls, it may be necessary to shape the ends of the track with a file.**

- B. Be sure the distance from the outer edge of the shower ledge to the front edge of the bottom track is the same measurement on both ends. Mark the shower ledge with a soft pencil along the front edge of the bottom track.
- C. Remove the bottom track and apply a bead of caulk on the underside of track as shown and install at the marked location on the shower ledge.
- D. Temporarily secure the bottom track with masking tape.



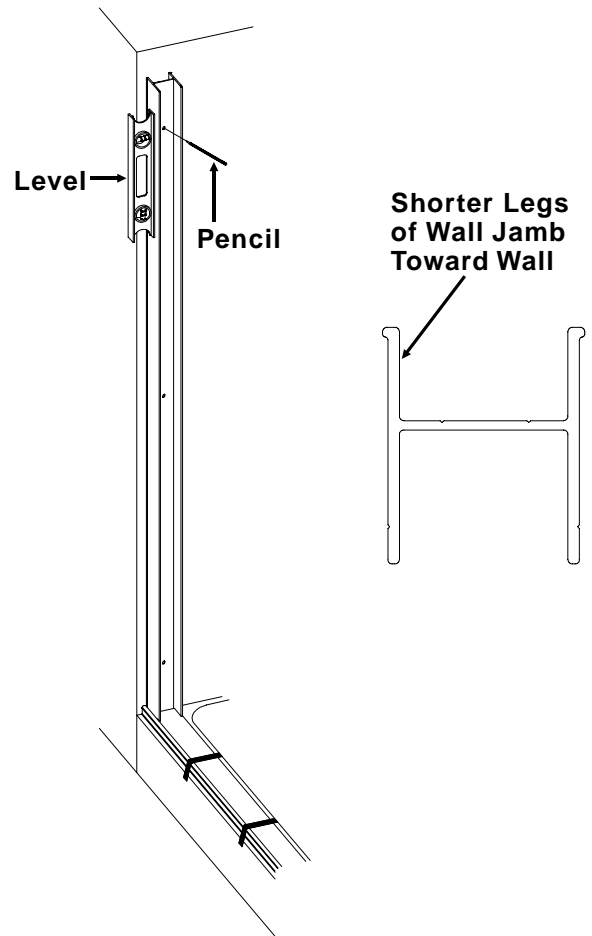
### 3 LOCATING AND MARKING WALL JAMB LOCATION

**Note: Wear Safety Glasses.**

- A. Place one of the wall jambs against the wall with the bottom end of the wall jamb resting on the bottom track. *Be sure the shorter leg of the wall jamb is toward the wall.*
- B. Align the bottom end of the wall jamb with the inside edge of the bottom track.

**NOTE: The wall jamb must sit flat on the bottom track. If your ledge has a curve in the corners at the side wall, it may be necessary to shape the bottom end of the wall jamb with a file.**

- C. Use a level to align the wall jamb vertically and mark the 3 hole locations on the wall.
- D. Repeat procedure for the other wall jamb on the opposite wall.

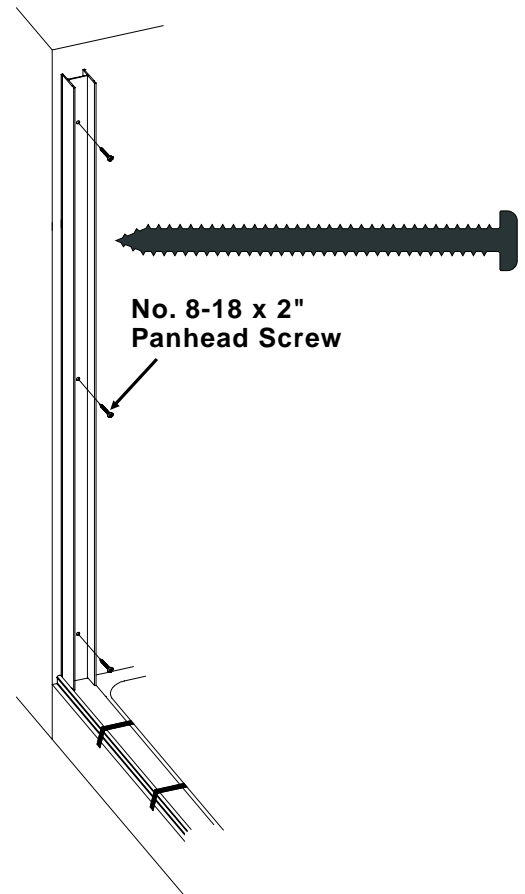


### 4 DRILLING HOLES AND INSTALLING WALL JAMBS

- A. Lightly center punch the 3 hole locations on each wall. On ceramic tile, use the center punch to nick the surface glaze. Tap the punch lightly with your hammer so you don't crack the tile.
- B. Drill all 6 holes with a  $\frac{3}{16}$ " drill bit. (Use a masonry bit for ceramic tile\*).
- C. After drilling, thoroughly clean the shower ledge and insert anchors in all 6 holes.

**\*Start drilling slowly to prevent damage.**

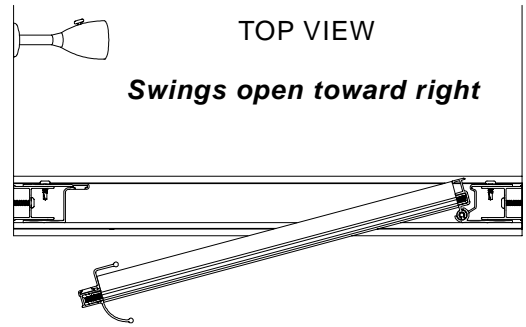
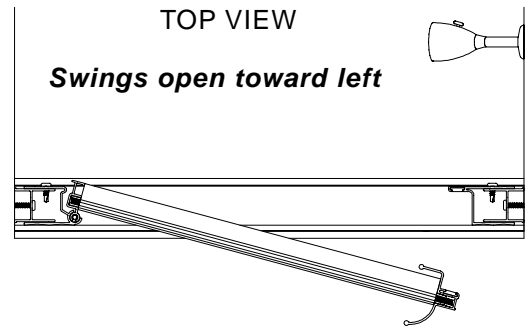
- D. Place the wall jambs against wall and align the holes in the wall jambs with the holes in wall and secure with 6 No. 8-18 x 2" panhead screws.



## 5 DETERMINING DIRECTION OF SWING

- A. Determine whether the door will swing toward the right or left. Check that there are no obstacles in the door path as it swings open.
- B. It is recommended that the swing side of the door be installed on the opposite side from the shower head. Be sure there are no obstructions.

**All of the following illustrations are for door that swings open toward the left. Door that swings open toward right would be opposite.**

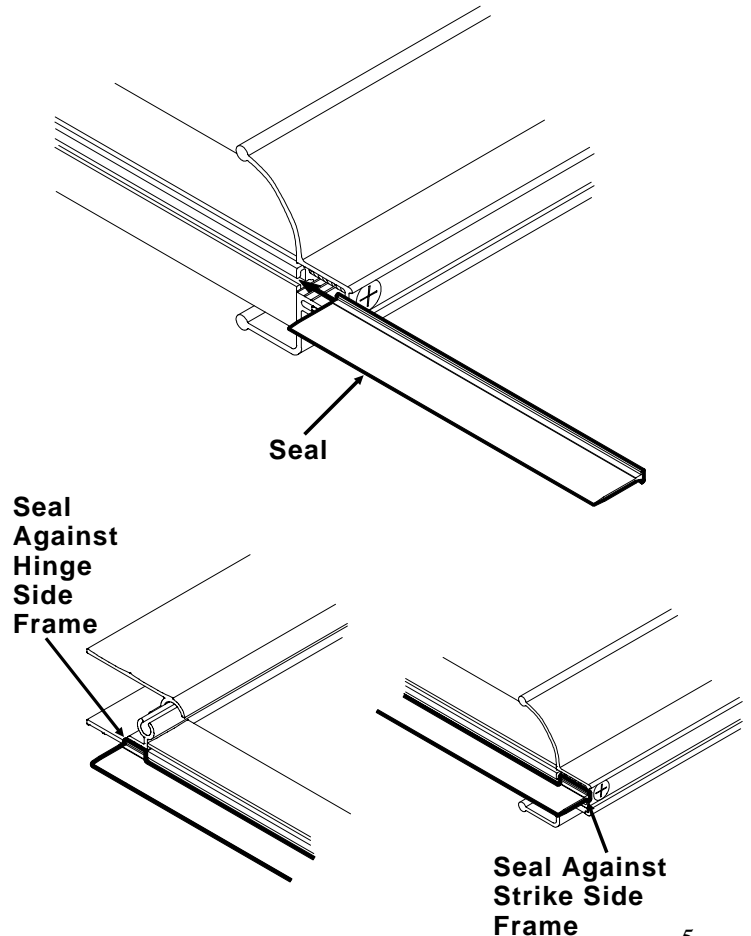


---

## 6 INSTALLING BOTTOM SEAL

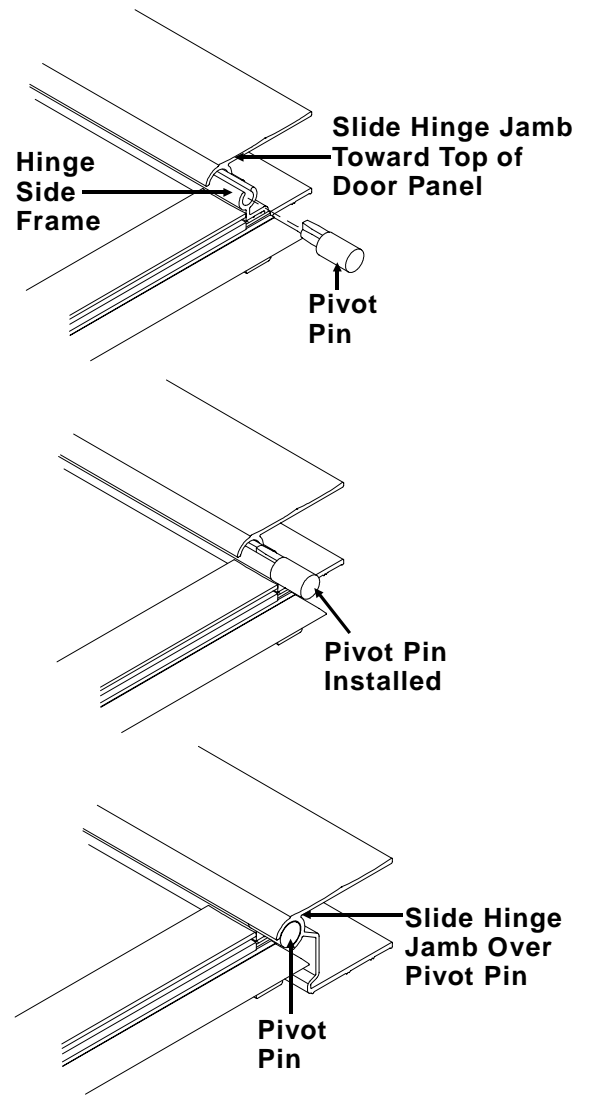
- A. Slide the seal into the groove in the bottom frame of the door panel. Push the seal against the hinge side frame wall and align the seal with the wall of strike jamb and trim excess with scissors or sharp knife.

**(Water or petroleum jelly may help in sliding the seal in place).**



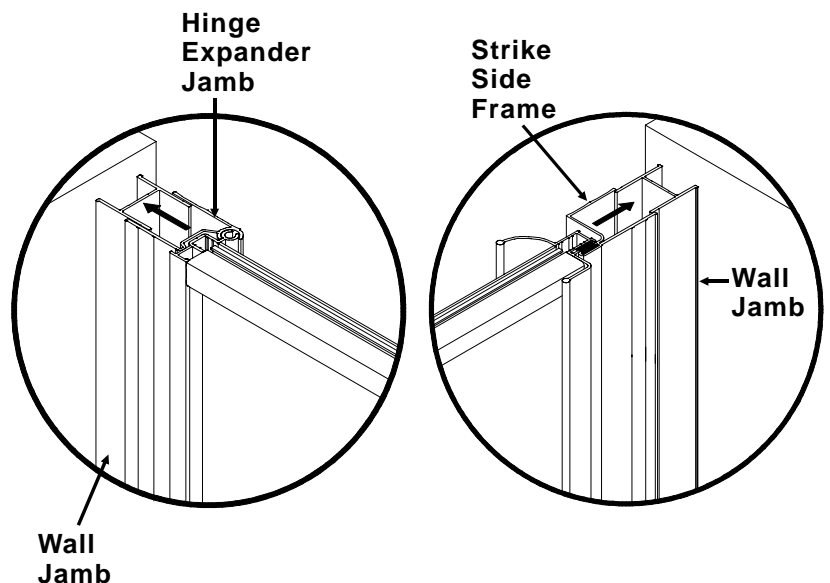
## 7 INSTALLING PIVOT PIN

- A. At the bottom end of the door panel, slide the hinge jamb toward top of door panel as shown.
- B. Insert the pivot pin into the pivot hole of the hinge side frame as shown.
- C. Slide the hinge jamb over the installed pivot pin.



## 8 INSTALLING DOOR PANEL AND STRIKE EXPANDER JAMB

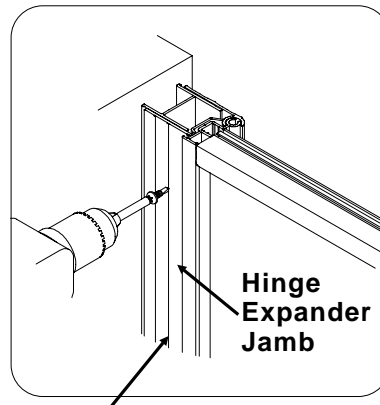
- A. Lift the door panel and install the hinge expander jamb attached to the door panel over the wall jamb.
- B. Install the strike expander jamb over the opposite wall jamb.



## 9 ADJUSTING AND SECURING DOOR PANEL AND STRIKE EXPANDER JAMB

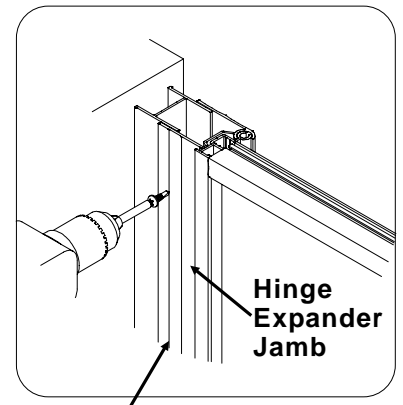
- A. Adjust the door panel and strike jamb toward opposite walls with approximately the same amount of adjustment at each wall jamb.
- B. Open and close the door panel and adjust so that the bottom seal of panel does not hang on the bottom track.
- C. Holding the door panel in place, insert 3 No. 8-18 x 1/2" self drilling screws into the starting groove in the hinge expander jamb and secure the door panel. **Note: When the hinge expander jamb is adjusted all the way toward wall out to 3/8", use the screw groove farthest from the wall, see Figure 1. With the hinge expander jamb adjusted 3/8" to 3/4", use the screw groove closer to the wall, see Figure 2.**
- D. Adjust the strike expander jamb until there is 3/16" clearance at top and bottom between the door panel strike side frame and the strike expander jamb.
- E. Holding the strike expander jamb in place, insert 3 No. 8-18 x 1/2" self drilling screws into the starting groove in the strike expander jamb and secure the strike expander jamb. **Note: Use same procedures to adjust and secure strike expander jamb as the hinge expander jamb, see Figures 3 and 4.**

FIGURE 1



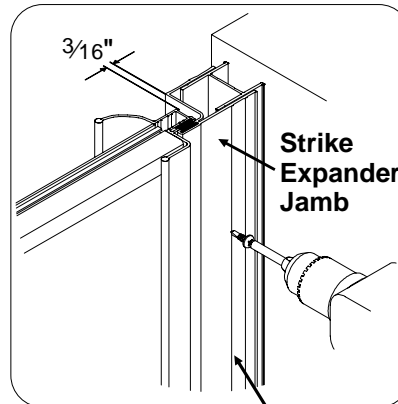
Screw Starting Groove

FIGURE 2



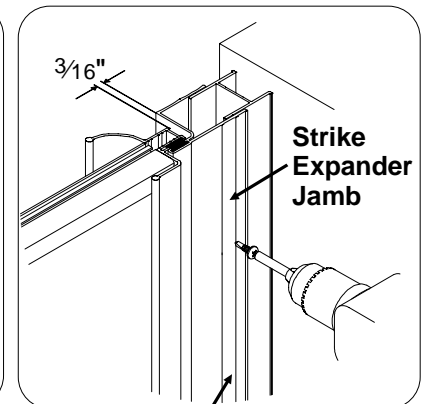
Screw Starting Groove

FIGURE 3



Screw Starting Groove

FIGURE 4



Screw Starting Groove

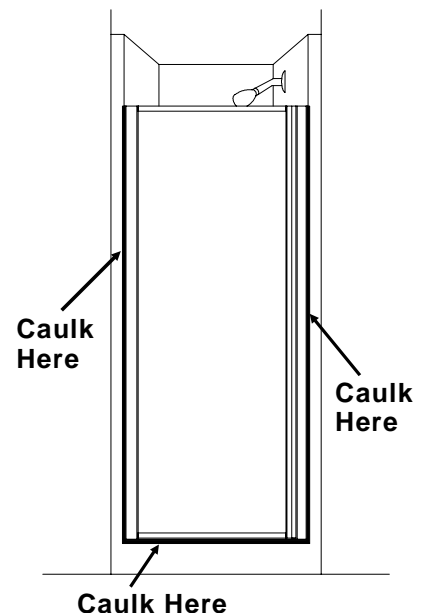


No. 8-18 x 1/2"  
Self Drilling  
Panhead Screw

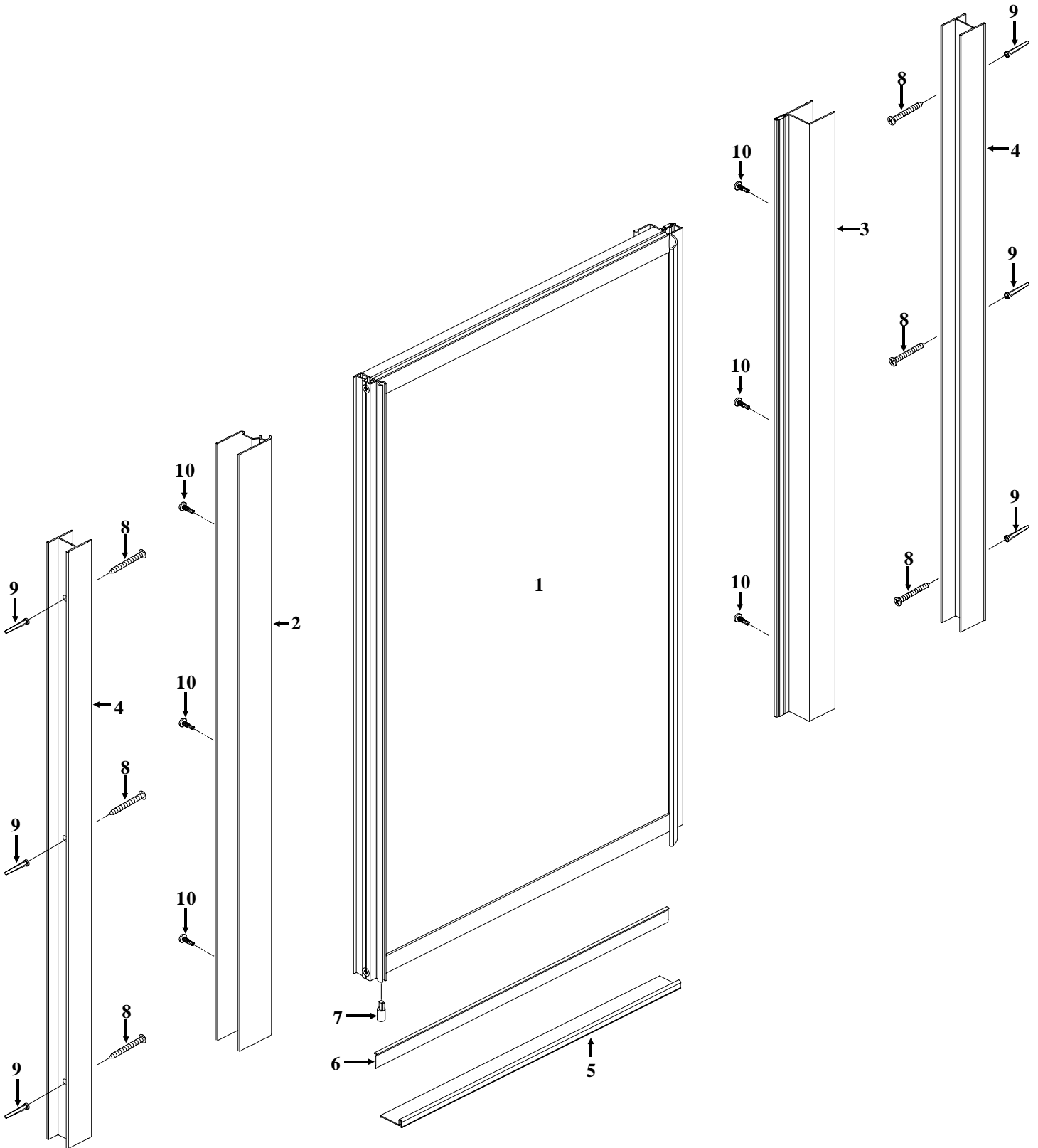
## 10 CAULKING

- A. Remove masking tape from bottom track and carefully apply a bead of caulk around the outside of the door where the bottom track meets the shower ledge and the wall jambs meet the wall.

**Allow caulk to set 24 hours before use.**



# PARTS LIST





# PARTS LIST

When ordering parts, specify model number, part number, quantity and color.

Key No.	Description	Qty.	Part Nos. For Models	
			2800-25S 2800-26S 2800-28S 2800-29S 2800-31S 2800-32S 2800-34S 2800-35S 2805-32S 2805-34S 2805-29S 2805-31S	2800-22PB 2800-25PB 2800-26PB 2800-28PB 2805-28PB 2800-29PB 2800-31PB 2800-32PB 2800-34PB 2800-35PB 2805-29PB 2805-31PB 2805-32PB 2805-34PB
1	Door Panel	1	10463.01 10463.02 10463.03 10463.04 10463.05 10463.06 10463.07 10463.08 10463.19 10463.20 10463.23 10463.21	10463.09 10463.10 10463.11 10463.12 10463.18 10463.13 10463.14 10463.15 10463.16 10463.17 10463.24 10463.22 10463.25 10463.26
2	Hinge Expander Jamb (Factory Installed)	1	10377.01	10377.02
3	Strike Expander Jamb Assembly	1	10465.01	10465.02
4	Wall Jamb	2	10395.01	10395.02
5	Bottom Track	1	10480.01	10480.02
6	Seal	1	627700	627700
7	Nylon Pivot Pin	1	10466.01	10466.01
8	Wall Jamb Mounting Screw-No. 8-18 x 2" Panhead	6	456331	456332
9	Plastic Anchor	6	162217	162217
10	Screw-No. 8-18 x 1/2" Self Drilling Panhead	6	915506	915507