



**Southaven®**  
Top-mount Kitchen Sink  
**24912-4**

**Features**

- Four faucet holes.
- 8" (203 mm) depth.
- 3-5/8" (92 mm) drain opening.
- Stainless steel with luster bowl finish and a satin deck finish.

**Material**

- Premium 20-gauge stainless steel.

**Installation**

- Top-mount.

**Recommended Products/Accessories**

- K-23726 Drain treatment
- K-23729 Stainless steel cleaner

**Optional Products/Accessories**

- 7400 Sink Strainer

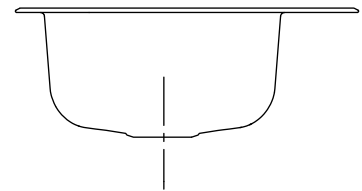
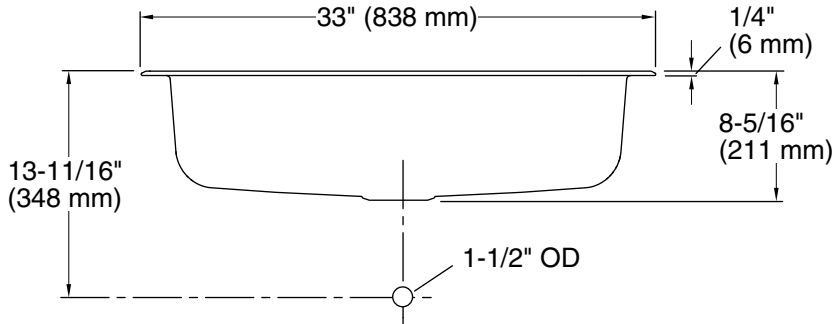
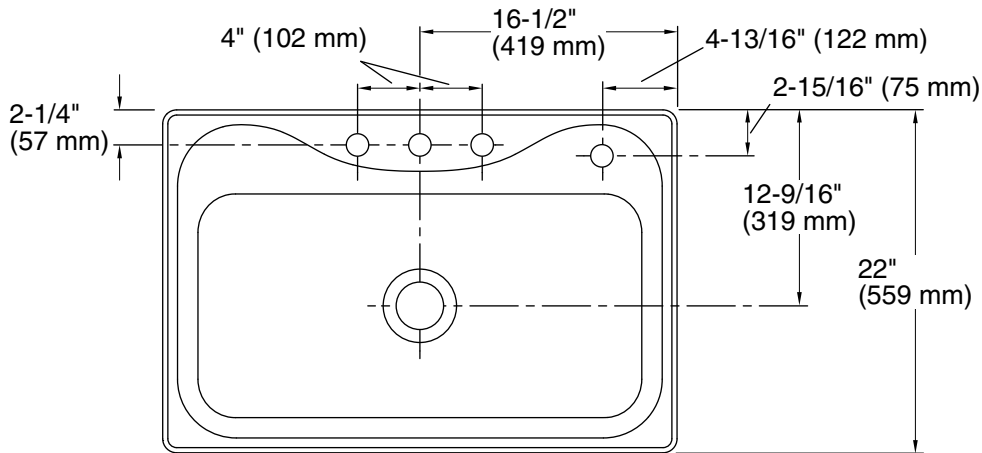


**Codes/Standards**

ASME A112.19.3/CSA B45.4

**STERLING® Warranty - Stainless Steel Sinks**

See website for detailed warranty information.



**Technical Information**

All product dimensions are nominal.

- Installation: Top-mount
- Bowl area (Only): Length: 29-3/16" (742 mm)  
Width: 15-1/16" (383 mm)  
Bowl depth: 8" (203 mm)  
Water depth: 8" (203 mm)
- Number of deck holes: 4
- Faucet hole spacing: 4" (102 mm)
- Faucet hole(s): 1-7/16" (37 mm)
- Soap/Lotion hole: 1-7/16" (37 mm)
- Drain hole: 3-5/8" (92 mm)

**Notes**

Install this product according to the installation instructions.