



# Southaven®

## Top-Mount Kitchen Sink

### 24912-2

#### Features

- Two faucet holes.
- 8" (203 mm) depth.
- 3-5/8" (92 mm) drain opening.
- Stainless steel with luster bowl finish and a satin deck finish.

#### Material

- Premium 20-gauge stainless steel.

#### Installation

- Top-mount.

#### Recommended Products/Accessories

- K-23726 Drain treatment
- K-23729 Stainless steel cleaner

#### Optional Products/Accessories

- 7400 Sink Strainer

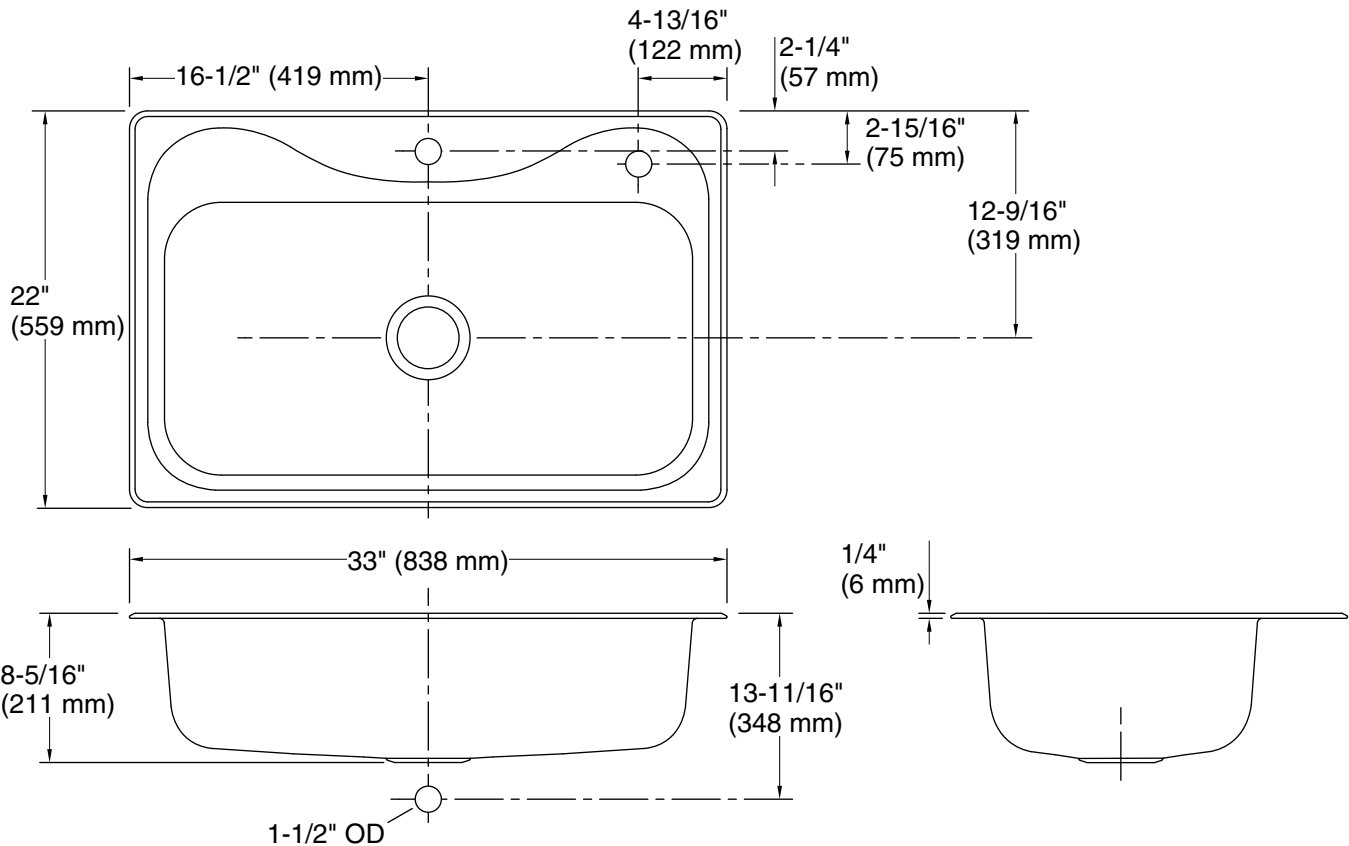


#### Codes/Standards

ASME A112.19.3/CSA B45.4

#### STERLING® Warranty - Stainless Steel Sinks

See website for detailed warranty information.



**Technical Information**

All product dimensions are nominal.

- Installation: Top-mount
- Bowl area (Only): Length: 29-3/16" (742 mm)  
Width: 15-1/16" (383 mm)  
Bowl depth: 8" (203 mm)  
Water depth: 8" (203 mm)
- Number of deck holes: 2
- Faucet hole(s): 1-7/16" (37 mm)
- Drain hole: 3-5/8" (92 mm)

**Notes**

Install this product according to the installation instructions.