



# McAllister™

## 32" undermount double-bowl kitchen sink

### 24765

#### Features

- No faucet holes; requires wall- or counter-mount faucet
- 5-15/16" depth
- 3-3/4" drain opening
- Stainless steel with luster finish

#### Material

- Premium 18-gauge stainless steel

#### Installation

- Undermount

#### Recommended Products/Accessories

K-23726 Drain treatment

K-23729 Stainless steel cleaner

#### Optional Products/Accessories

11861 Sink Rack

7400 Stainless Steel Sink Drain and Strainer



ADA

#### Codes/Standards

ASME A112.19.3/CSA B45.4

ADA

ICC/ANSI A117.1

#### STERLING® Stainless Steel Sinks Lifetime Limited Warranty

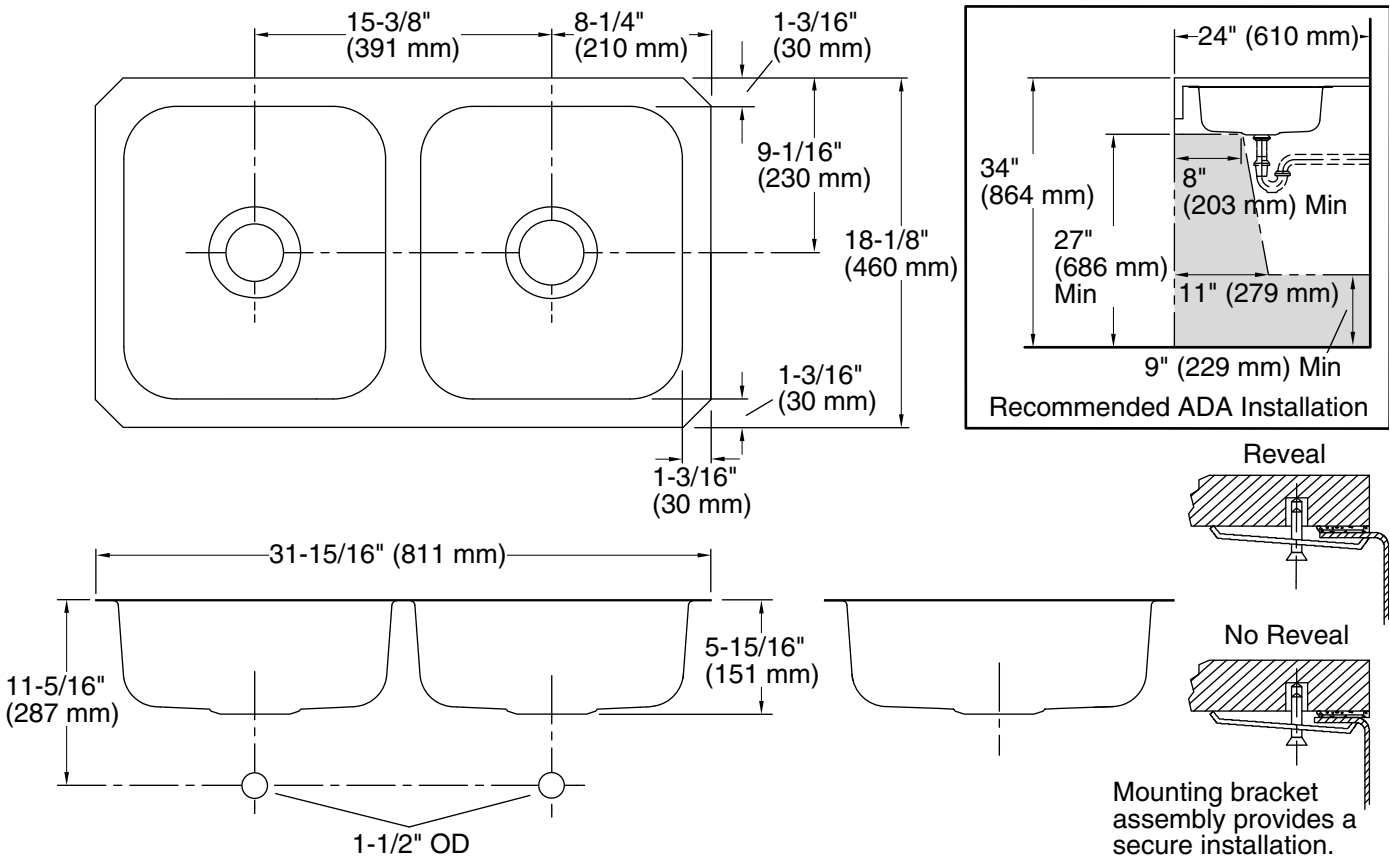
See website for detailed warranty information.

1-800-STERLING (1-800-783-7546)

Kohler Co. reserves the right to make revisions without notice to product specifications.

For the most current Specification Sheet, go to [www.sterlingplumbing.com](http://www.sterlingplumbing.com).

5-7-2023 23:48 - US/CA



**Technical Information**

All product dimensions are nominal.

- Bowl configuration: Double equal
- Installation: Undermount
- Bowl area (Left): Length: 14-1/8" (358 mm)  
Width: 15-3/4" (400 mm)  
Bowl depth: 5-5/8" (143 mm)  
Water depth: 5-5/8" (143 mm)
- Bowl area (Right): Length: 14-1/8" (358 mm)  
Width: 15-3/4" (400 mm)  
Bowl depth: 5-5/8" (143 mm)  
Water depth: 5-5/8" (143 mm)
- Drain hole: 3-5/8" (92 mm)
- Template: 1315846-7, required, included

**Notes**

- Install this product according to the installation instructions.
- ADA compliant when installed to the specific requirements of these regulations.