



Ludington®

Undermount single-bowl farmhouse kitchen sink

20243

Features

- Apron-front.
- No faucet holes; requires wall- or counter-mount faucet.
- 9-1/2" depth provides generous workspace.
- 3-3/4" drain opening.

Material

- Stainless steel with satin finish.
- Premium 18-gauge stainless steel.

Recommended Products/Accessories

- K-23726 Drain treatment
- K-23729 Stainless steel cleaner

Optional Products/Accessories

- 7400 Sink Strainer

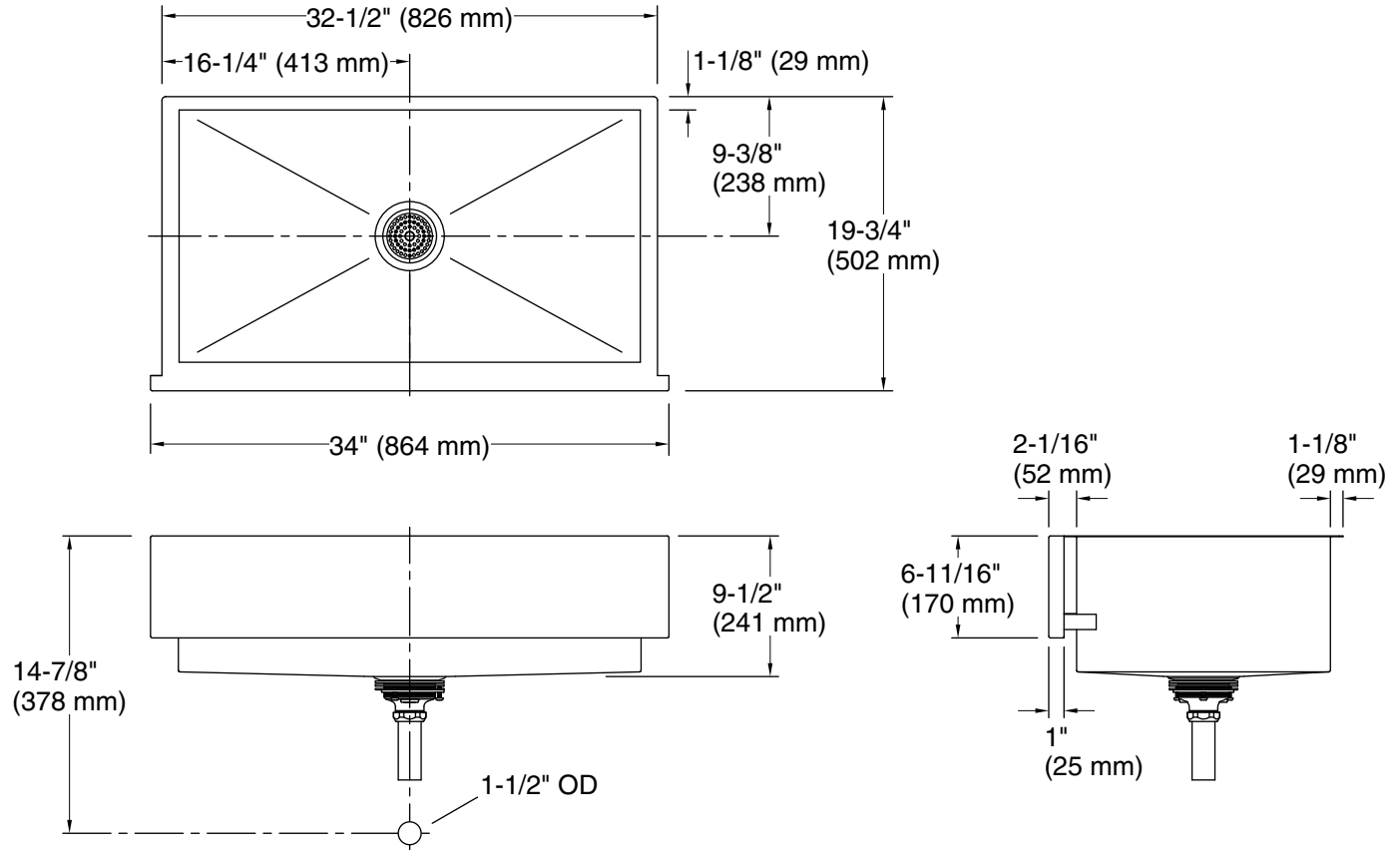


Codes/Standards

ASME A112.19.3/CSA B45.4

STERLING® Warranty - Stainless Steel Sinks

See website for detailed warranty information.



Technical Information

All product dimensions are nominal.

Installation:	Under-mount
Min. base cabinet width:	36" (914 mm)
Bowl area (Only):	Length: 30-1/4" (768 mm) Width: 16-9/16" (420 mm) Bowl depth: 9-3/16" (233 mm) Water depth: 9-3/16" (233 mm)
Drain hole:	3-3/4" (94 mm)
Template:	1307774-7, required, included

Notes

Install this product according to the installation instructions.

Countertop manufacturer or cutter must use the cut-out template provided with the product, or a current one provided by Kohler Co. (call 1-800-43-FOCUS). Kohler Co. is not responsible for cut-out errors when the incorrect cut-out template is used.