



# Ludington®

Undermount single-bowl kitchen sink w/accessories  
**20023-PC**

## Features

- No faucet holes; requires wall- or counter-mount faucet.
- 9-7/16" depth.
- 3-3/4" drain opening.
- Includes silicone sink mat (20284-ASH) and sink strainer (7400).

## Material

- Stainless steel with satin finish.
- Premium 18-gauge stainless steel.

## Installation

- Undermount.

## Recommended Products/Accessories

- K-23726 Drain treatment
- K-23729 Stainless steel cleaner

## Included Components

Product consists of:

- 7400 Sink Strainer
- 20284 Silicone sink mat



## Codes/Standards

ASME A112.19.3/CSA B45.4

## STERLING® Stainless Steel Sinks Lifetime Limited Warranty

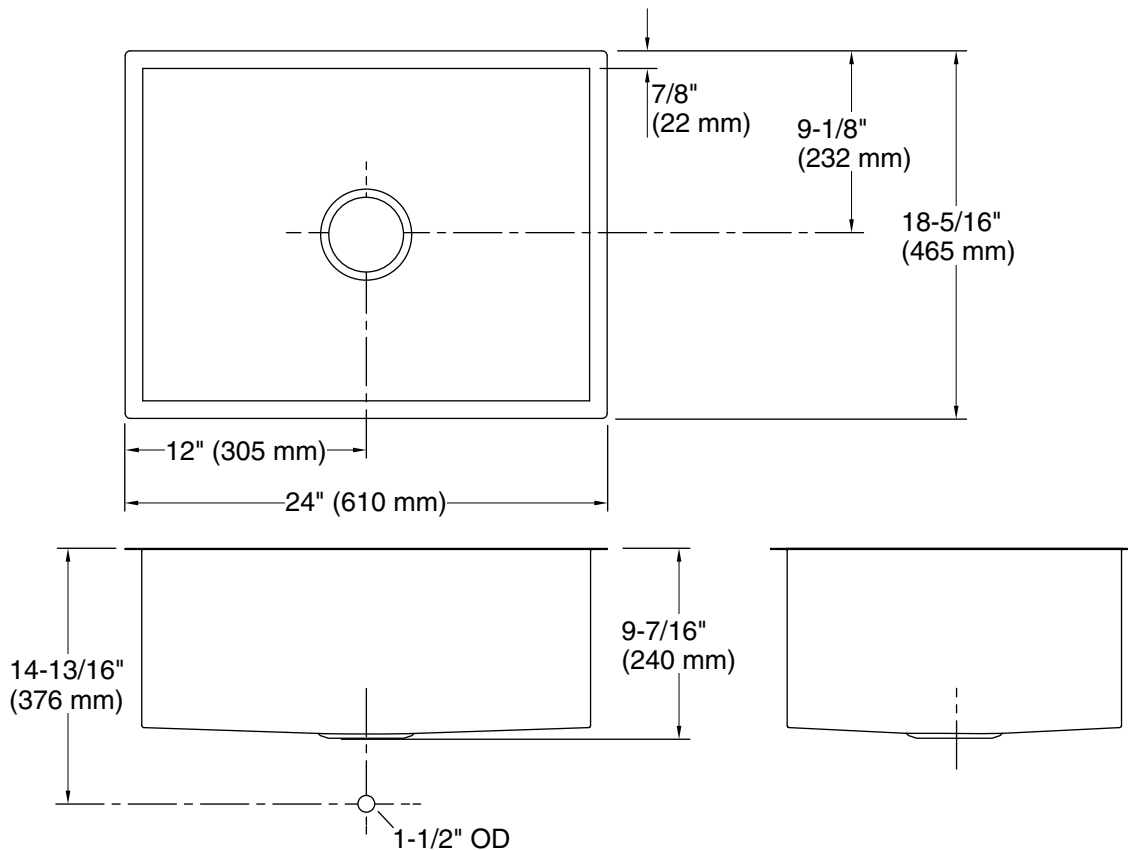
See website for detailed warranty information.

---

1-800-STERLING (1-800-783-7546)

Kohler Co. reserves the right to make revisions without notice to product specifications.

For the most current Specification Sheet, go to [www.sterlingplumbing.com](http://www.sterlingplumbing.com).



**Technical Information**

All product dimensions are nominal.

Installation:	Undermount
Min. base cabinet width:	27" (686 mm)
Bowl area (Only):	Length: 22-1/4" (565 mm) Width: 16-9/16" (420 mm) Bowl depth: 9-3/16" (233 mm) Water depth: 9-3/16" (233 mm)
Drain hole:	3-3/4" (94 mm)
Template:	1298948-7, required, included

**Notes**

Install this product according to the installation instructions.

Countertop manufacturer or cutter must use the cut-out template provided with the product, or a current one provided by Kohler Co. (call 1-800-43-FOCUS). Kohler Co. is not responsible for cut-out errors when the incorrect cut-out template is used.