



# Ludington®

## Under-Mount Kitchen Sink

### 20022

#### Features

- 9-9/16"-deep single bowl.
- 3-3/4" drain opening.
- SilentShield® sound-absorption technology offers quieter performance.

#### Material

- Stainless steel with satin finish.
- Premium 18-gauge stainless steel.

#### Installation

- Undermount.
- No faucet holes; requires wall-or counter-mount faucet.

#### Recommended Products/Accessories

7400 Sink Strainer  
20285 Silicone sink mat  
K-23726 Drain treatment  
K-23729 Stainless steel cleaner

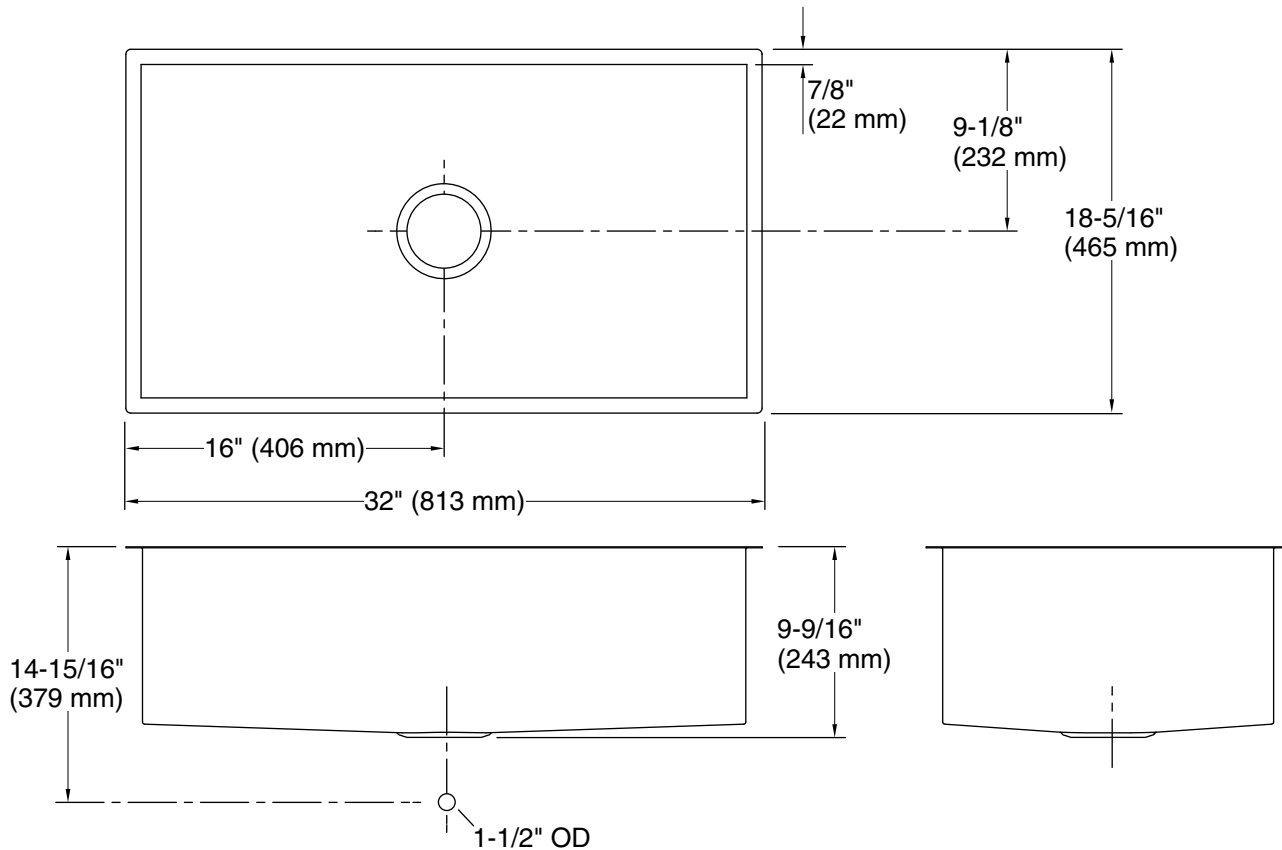


#### Codes/Standards

ASME A112.19.3/CSA B45.4

#### STERLING® Warranty - Stainless Steel Sinks

See website for detailed warranty information.



**Technical Information**

All product dimensions are nominal.

|                          |   |
|--------------------------|---|
| Installation:            | Under-mount   |
| Min. base cabinet width: | 36" (914 mm)  |
| Bowl area (Only):        | Length: 30-1/4" (768 mm)<br>Width: 16-9/16" (420 mm)<br>Bowl depth: 9-5/16" (237 mm)<br>Water depth: 9-5/16" (237 mm) |
| Drain hole:              | 3-3/4" (94 mm)  |
| Template:                | 1298947-7, required, included   |

**Notes**

Install this product according to the installation instructions.

Countertop manufacturer or cutter must use the cut-out template provided with the product, or a current one provided by Kohler Co. (call 1-800-43-FOCUS). Kohler Co. is not responsible for cut-out errors when the incorrect cut-out template is used.