



# Ludington®

Under-mount single-bowl kitchen sink  
**20022-PC**

## Features

- 9-9/16"-deep single bowl.
- 3-3/4" drain opening.
- SilentShield® sound-absorption technology offers quieter performance.
- Large single bowl.
- 36" minimum base cabinet width.

## Material

- Premium 18-gauge stainless steel.
- Stainless steel with satin finish.

## Installation

- No faucet holes; requires wall-or counter-mount faucet.
- Undermount.

## Recommended Products/Accessories

- K-23726 Drain treatment
- K-23729 Stainless steel cleaner

## Included Components

- Product consists of:
- 7400 Sink Strainer
  - 20285 Silicone sink mat

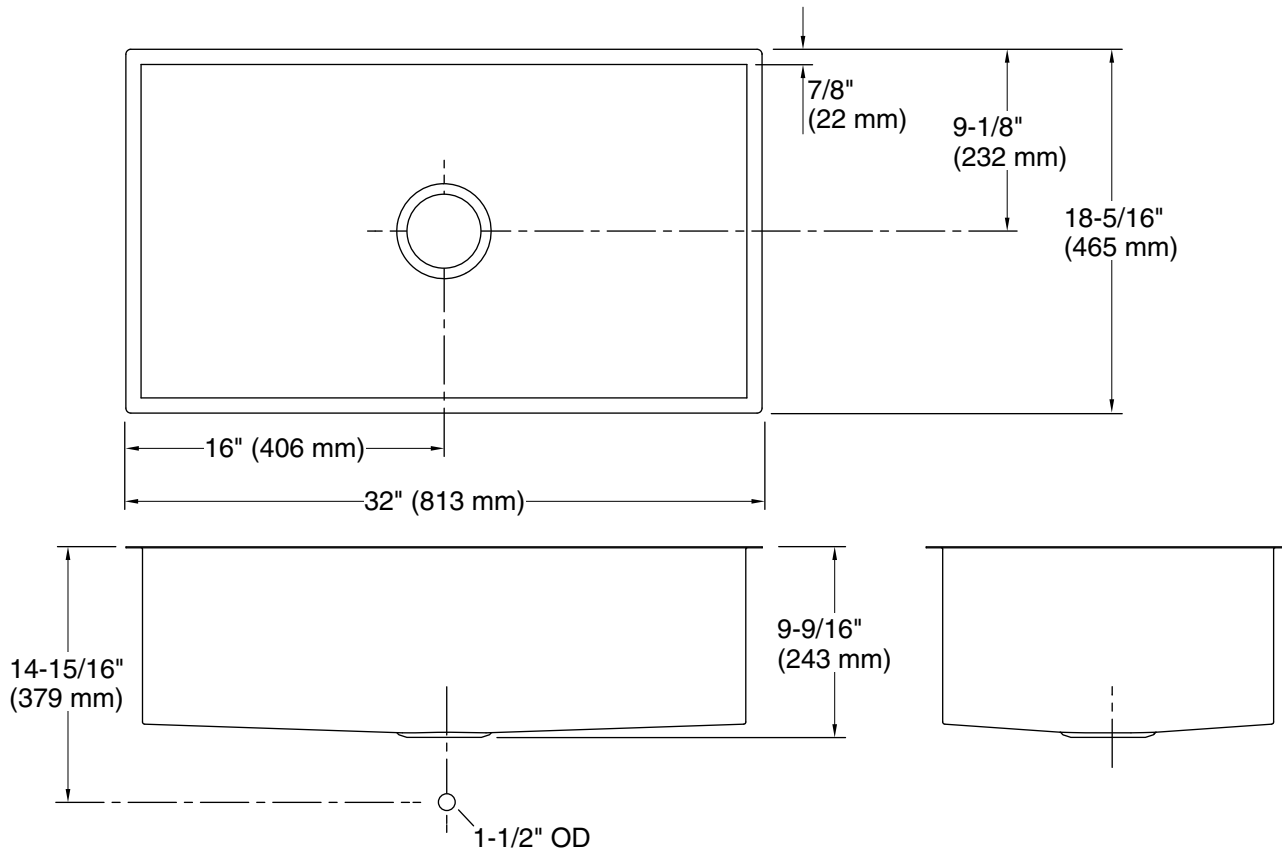


## Codes/Standards

ASME A112.19.3/CSA B45.4

## STERLING® Warranty - Stainless Steel Sinks

See website for detailed warranty information.



**Technical Information**

All product dimensions are nominal.

Installation:	Undermount
Min. base cabinet width:	36" (914 mm)
Bowl area (Only):	Length: 30-1/4" (768 mm)
	Width: 16-9/16" (420 mm)
	Bowl depth: 9-5/16" (237 mm)
	Water depth: 9-5/16" (237 mm)
Drain hole:	3-3/4" (94 mm)
Template:	1298947-7, required, included

**Notes**

Install this product according to the installation instructions.

Countertop manufacturer or cutter must use the cut-out template provided with the product, or a current one provided by Kohler Co. (call 1-800-43-FOCUS). Kohler Co. is not responsible for cut-out errors when the incorrect cut-out template is used.