



Vista Pivot™ II

Framed pivot shower door
1535D-48

Features

- Framed, 1/8" (3 mm) thick tempered glass.
- Tempered glass ensures maximum safety and durability.
- 19" (482 mm) inline panel 5/32" (4 mm) thick.

Material

- Anodized aluminum prevents rust and corrosion.

Installation

- Out-of-plumb adjustability simplifies installation.
- Not for use in hospitality.
- For residential use only.

Recommended Products/Accessories

K-23723 Faucet cleaner

Included Components

Additional Components:

Hardware kit



Codes/Standards

ANSI Z97.1

CPSC 16CFR 1201

STERLING® Warranty - Bath and Shower Doors

See website for detailed warranty information.

Available Colors/Finishes

Color tiles intended for reference only.

Color	Code	Description
-------	------	-------------



N	Nickel
---	--------

Available Glass Options

Code	Description
------	-------------

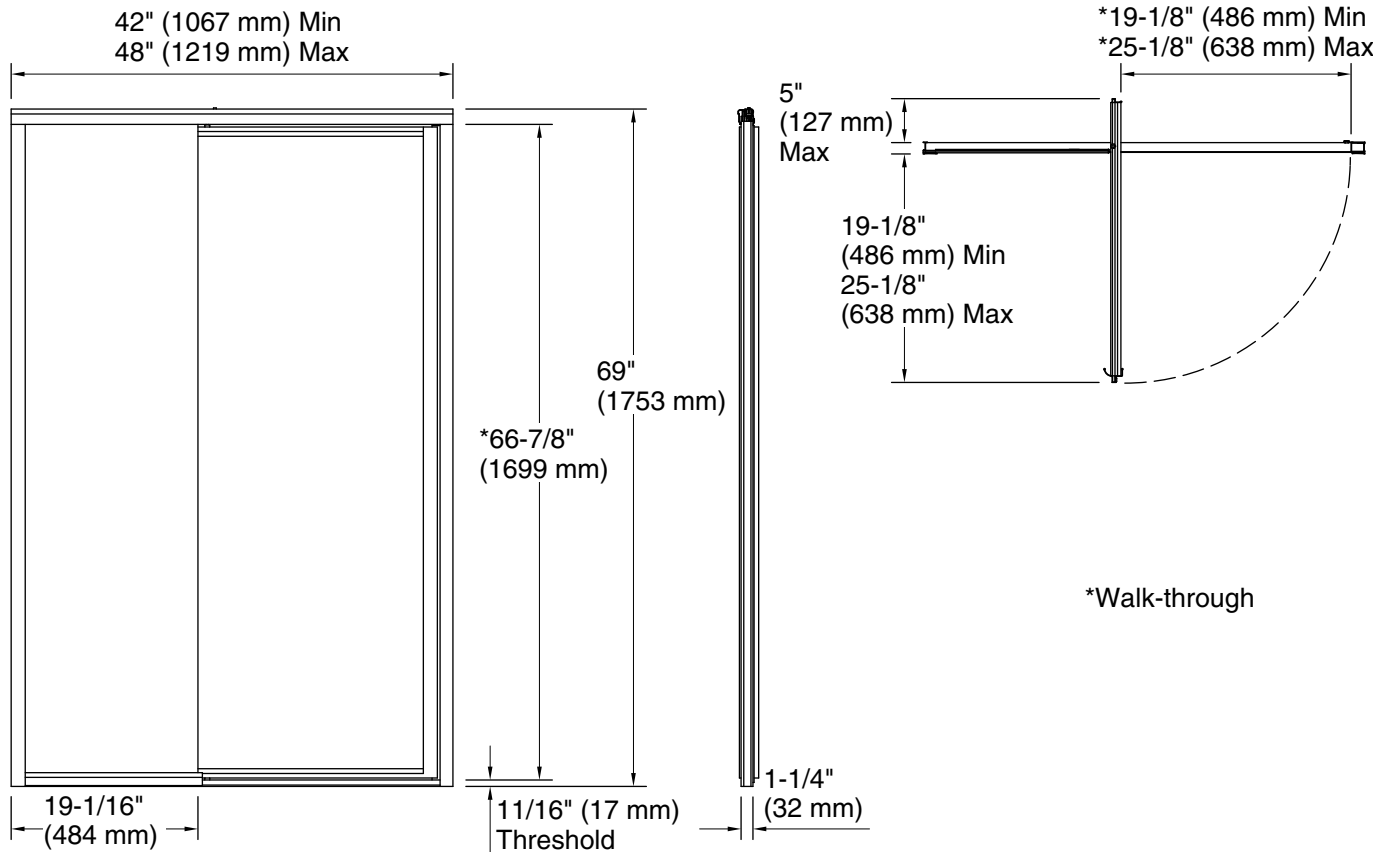
	Pebbled
--	---------

1-800-STERLING (1-800-783-7546)

Kohler Co. reserves the right to make revisions without notice to product specifications.

For the most current Specification Sheet, go to www.sterlingplumbing.com.

12-29-2021 09:52 - US//CA



Technical Information

All product dimensions are nominal.

- Installation type: For shower base installation
- Opening Width - Min: 42" (1067 mm)
- Opening Width - Max: 48" (1219 mm)
- Walk-through - Min: 19-1/8" (486 mm)
- Walk-through - Max: 25-1/8" (638 mm)
- Base-To-Wall Radius - Max: 3/8" (10 mm)
- Glass thickness: 1/8" (3 mm)

Notes

- Install this product according to the installation guide.
- The vertical opening should be a minimum of 70-1/2" (1791 mm) to allow for installation clearance.