



Vista Pivot™ II

Framed pivot shower door
1535D-42

Features

- Framed, 1/8" (3 mm) thick tempered glass
- Tempered glass ensures enhanced safety and durability
- 13" (330 mm) inline panel, 5/32" (4 mm) thick

Material

- Anodized aluminum prevents rust and corrosion

Installation

- Out-of-plumb adjustability simplifies installation
- Not for use in hospitality
- For residential use only

Recommended Products/Accessories

K-23723 Faucet cleaner

Included Components

Additional Components:

Hardware kit



Codes/Standards

ANSI Z97.1

CPSC 16CFR 1201

STERLING® Warranty - Bath and Shower Doors

See website for detailed warranty information.

Available Glass Options

Code	Description
------	-------------

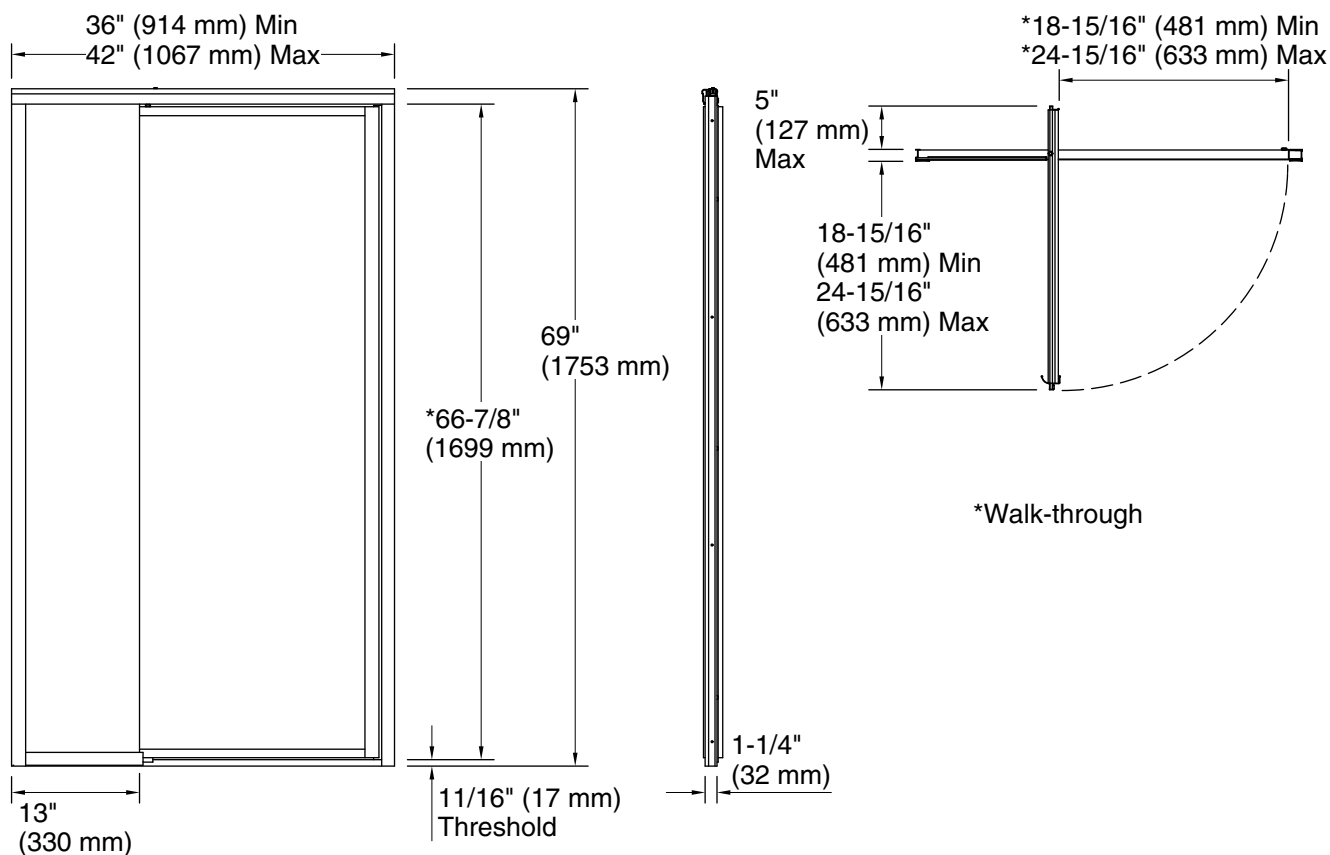
	Pebbled
--	---------

1-800-STERLING (1-800-783-7546)

Kohler Co. reserves the right to make revisions without notice to product specifications.

For the most current Specification Sheet, go to www.sterlingplumbing.com.

3-5-2023 00:12 - US//CA



Technical Information

All product dimensions are nominal.
 Installation type: For shower base installation
 Base-To-Wall 3/8" (10 mm)
 Radius – Max:
 Glass thickness: 1/8" (3 mm)

Notes

Install this product according to the installation guide.
 The vertical opening should be a minimum of 70-1/2" (1791 mm) to allow for installation clearance.