



Vista Pivot™ II

Framed pivot shower door
1535D-36

Features

- Framed, 1/8" (3 mm) thick tempered glass.
- Tempered glass ensures maximum safety and durability.
- 7" (178 mm) inline panel 5/32" (4 mm) thick.

Material

- Anodized aluminum prevents rust and corrosion.

Installation

- Out-of-plumb adjustability simplifies installation.
- Not for use in hospitality.
- For residential use only.

Recommended Products/Accessories

K-23723 Faucet cleaner

Included Components

Additional Components:

Hardware kit



Codes/Standards

ANSI Z97.1

CPSC 16CFR 1201

STERLING® Warranty - Bath and Shower Doors

See website for detailed warranty information.

Available Colors/Finishes

Color tiles intended for reference only.

Color Code Description

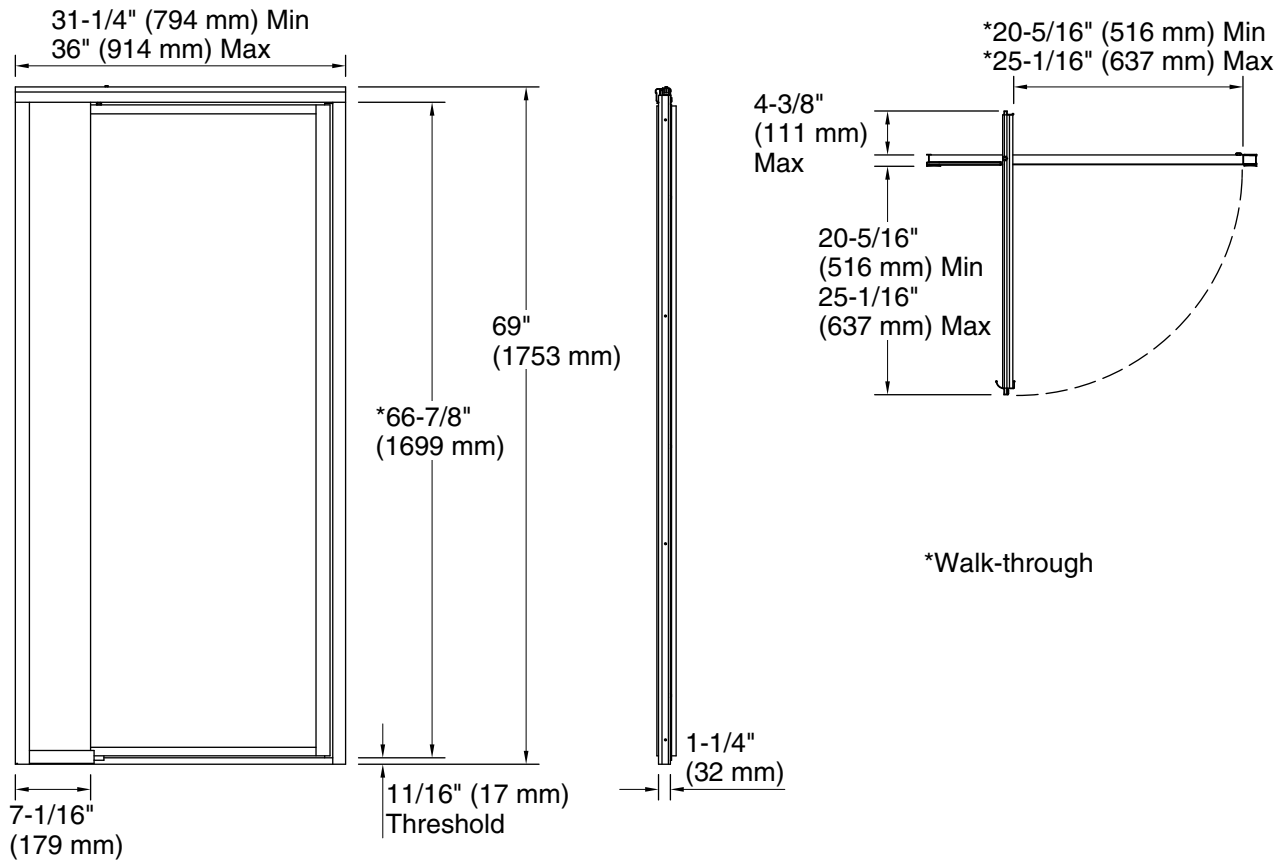


N Nickel

Available Glass Options

Code Description

Pebbled



Technical Information

All product dimensions are nominal.

- Installation type: For shower base installation
- Opening Width - Min: 31-1/4" (794 mm)
- Opening Width - Max: 36" (914 mm)
- Walk-through - Min: 20-5/16" (516 mm)
- Walk-through - Max: 25-1/16" (637 mm)
- Base-To-Wall: 3/8" (10 mm)
- Radius - Max:
- Glass thickness: 1/8" (3 mm)

Notes

- Install this product according to the installation guide.
- The vertical opening should be a minimum of 70-1/2" (1791 mm) to allow for installation clearance.