



Vista Pivot™ II

Framed pivot shower door
1507D-36

Features

- 7" In-line panel consists of clear glass for clear and patterned glass options; textured glass options will have matching panel.
- Maximum 3-1/2" width adjustability w/ in-line panel.

Installation

- Door can be installed to open to the left or right to suit your bathroom layout.
- Door can be installed to open to the left or right to suit your bathroom layout.
- Not for use in hospitality.
- For residential use only.

Recommended Products/Accessories

K-23723 Faucet cleaner

Included Components

Additional Components:
Hardware kit



Codes/Standards

ANSI Z97.1
CPSC 16CFR 1201


STERLING® Warranty - Bath and Shower Doors

See website for detailed warranty information.

Available Colors/Finishes

Color tiles intended for reference only.

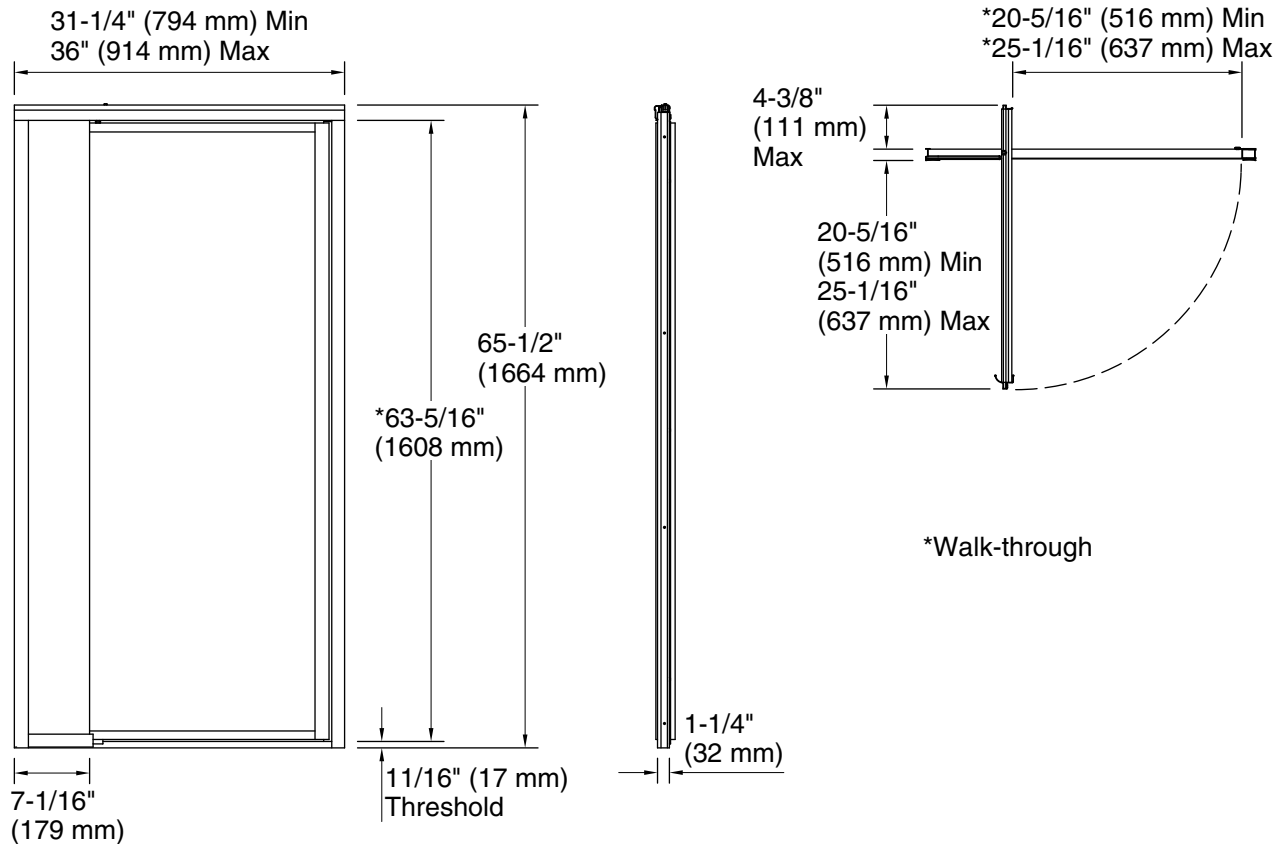
Color	Code	Description
-------	------	-------------

	S	Silver
---	---	--------

Available Glass Options

Code	Description
------	-------------

	Ellipse
--	---------



Technical Information

All product dimensions are nominal.

- Installation type: For shower base installation
- Opening Width - Min: 31-1/4" (794 mm)
- Opening Width - Max: 36" (914 mm)
- Walk-through - Min: 20-5/16" (516 mm)
- Walk-through - Max: 25-1/16" (637 mm)
- Base-To-Wall: 3/8" (10 mm)
- Radius - Max:
- Glass thickness: 1/8" (3 mm)

Notes

- Install this product according to the installation guide.
- The vertical opening should be a minimum of 67" (1702 mm) to allow for installation clearance.