



Vista Pivot™ II

Framed pivot shower door
1507D-31

Features

- 5" In-line panel consists of clear glass for clear and patterned glass options; textured glass options will have matching panel.
- Full-length magnetic door latch.
- Maximum 3-1/2" width adjustability w/ in-line panel.
- Tempered glass ensures enhanced safety and durability.

Installation

- Door can be installed to open to the left or right to suit your bathroom layout.
- Door can be installed to open to the left or right to suit your bathroom layout.
- Not for use in hospitality.
- For residential use only.

Recommended Products/Accessories

K-23723 Faucet cleaner

Included Components

Additional Components:
Hardware kit



Codes/Standards

ANSI Z97.1
CPSC 16CFR 1201

STERLING® Warranty - Bath and Shower Doors

See website for detailed warranty information.

Available Glass Options

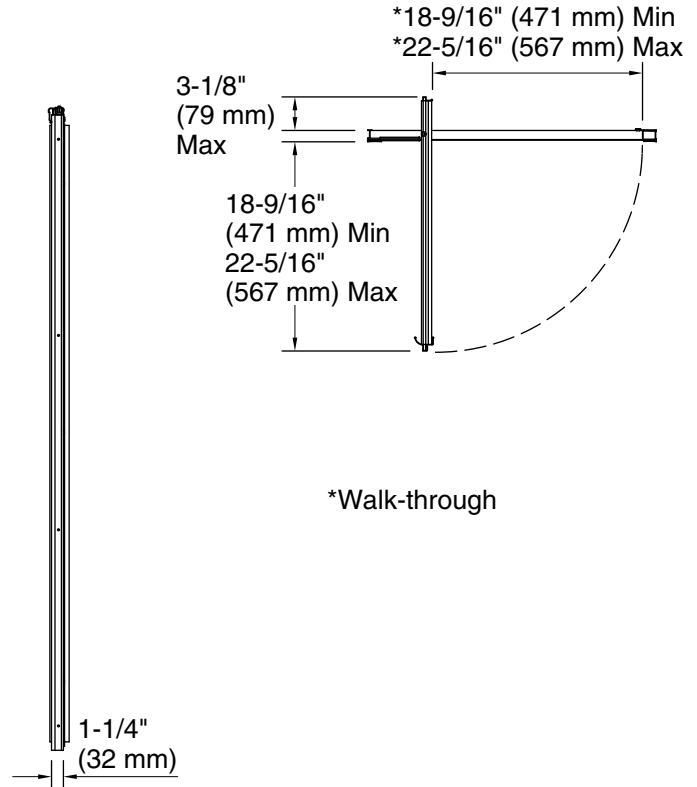
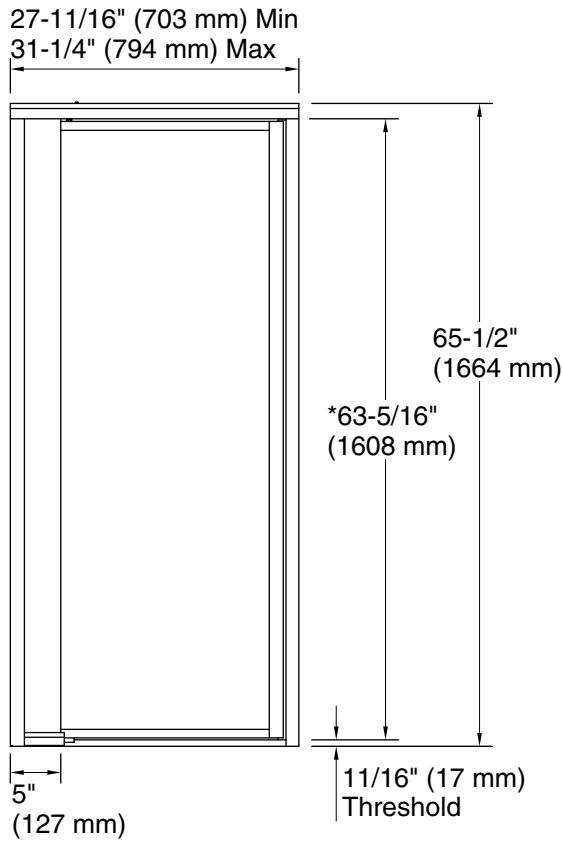
Code	Description
	Ellipse

1-800-STERLING (1-800-783-7546)

Kohler Co. reserves the right to make revisions without notice to product specifications.

For the most current Specification Sheet, go to www.sterlingplumbing.com.

10-14-2022 23:39 - US//CA



*Walk-through

Technical Information

All product dimensions are nominal.

- Installation type: For shower base installation
- Opening Width - Min: 27-1/2" (699 mm)
- Opening Width - Max: 31-1/4" (794 mm)
- Walk-through - Min: 18-9/16" (472 mm)
- Walk-through - Max: 22-5/16" (567 mm)
- Base-To-Wall Radius - Max: 3/8" (10 mm)
- Glass thickness: 1/8" (3 mm)

Notes

- Install this product according to the installation guide.
- The vertical opening should be a minimum of 67" (1702 mm) to allow for installation clearance.