



# Vista Pivot™ II

Framed pivot shower door  
1506D-48

## Features

- Framed, 1/8" (3 mm) thick tempered glass.
- Tempered glass ensures maximum safety and durability.
- 19" (482 mm) inline panel 5/32" (4 mm) thick.

## Material

- Anodized aluminum prevents rust and corrosion.

## Installation

- Out-of-plumb adjustability simplifies installation.
- Not for use in hospitality.
- For residential use only.

## Recommended Products/Accessories

K-23723 Faucet cleaner

## Included Components

Additional Components:

Hardware kit



## Codes/Standards

ANSI Z97.1

CPSC 16CFR 1201


## STERLING® Warranty - Bath and Shower Doors

See website for detailed warranty information.

## Available Colors/Finishes

*Color tiles intended for reference only.*

| Color | Code | Description |
|-------|------|-------------|
|-------|------|-------------|

|   |   |        |
|---|---|--------|
|  | S | Silver |
|---|---|--------|

## Available Glass Options

| Code | Description |
|------|-------------|
|------|-------------|

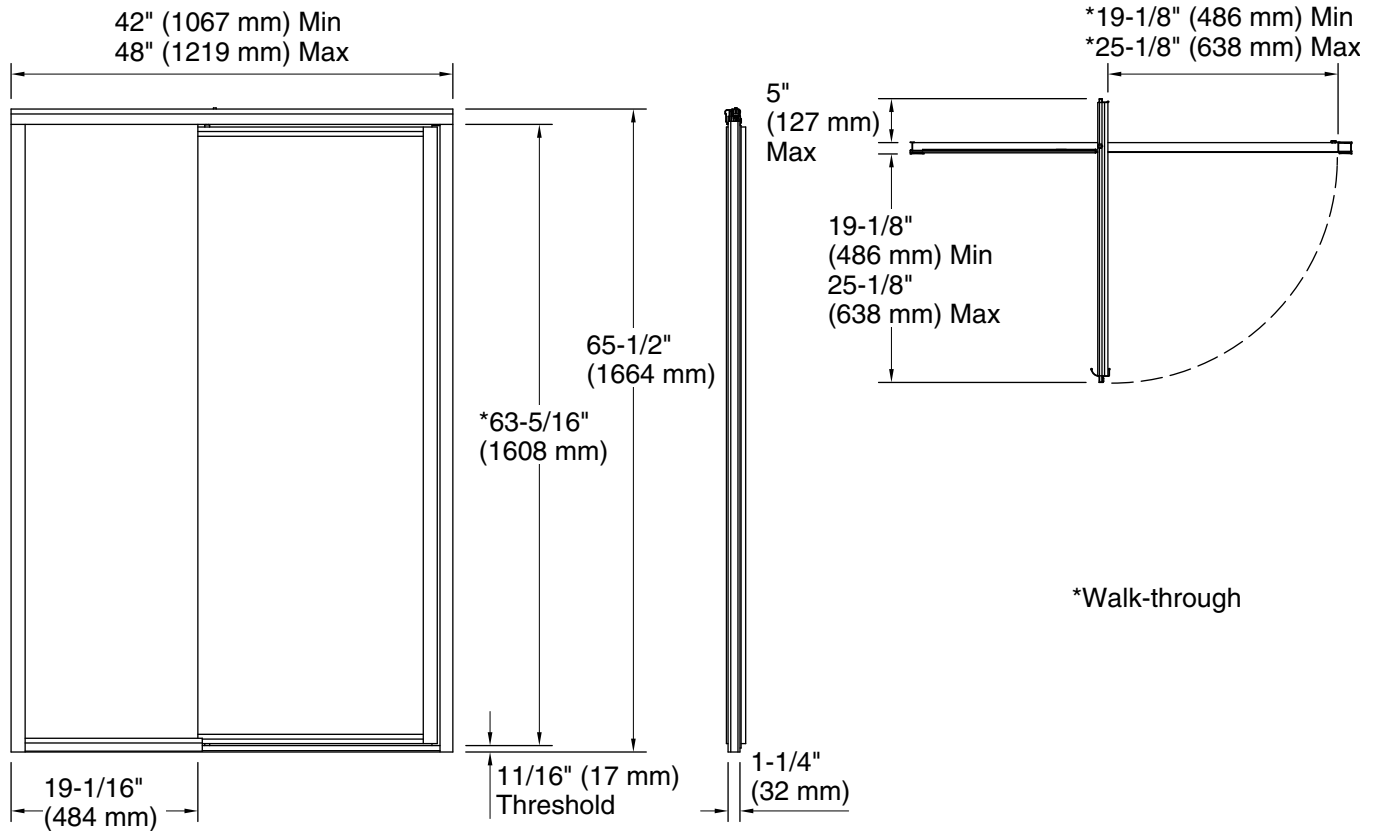
|  |      |
|--|------|
|  | Rain |
|--|------|

1-800-STERLING (1-800-783-7546)

Kohler Co. reserves the right to make revisions without notice to product specifications.

For the most current Specification Sheet, go to [www.sterlingplumbing.com](http://www.sterlingplumbing.com).

12-29-2021 09:51 - US//CA



**Technical Information**

All product dimensions are nominal.

Installation type: For shower base installation

Opening Width - Min: 42" (1067 mm)

Opening Width - Max: 48" (1219 mm)

Walk-through - Min: 19-1/8" (486 mm)

Walk-through - Max: 25-1/8" (638 mm)

Base-To-Wall: 3/8" (10 mm)

Radius - Max:

Glass thickness: 1/8" (3 mm)

**Notes**

Install this product according to the installation guide.

The vertical opening should be a minimum of 67" (1702 mm) to allow for installation clearance.