



# Middleton®

## Top-mount Kitchen Sink

### 14710-4

#### Features

- Top-mount.
- Four faucet holes.
- 7"-deep single bowl.
- 3-5/8" drain opening.
- Stainless steel with durable satin finish.
- SilentShield® sound-absorption technology offers quieter performance.

#### Material

- Premium 20-gauge stainless steel.

#### Recommended Products/Accessories

- 7400 Sink Strainer
- K-23726 Drain treatment
- K-23729 Stainless steel cleaner

#### Included Components

- Product consists of:
- 1150001 Installation Clips

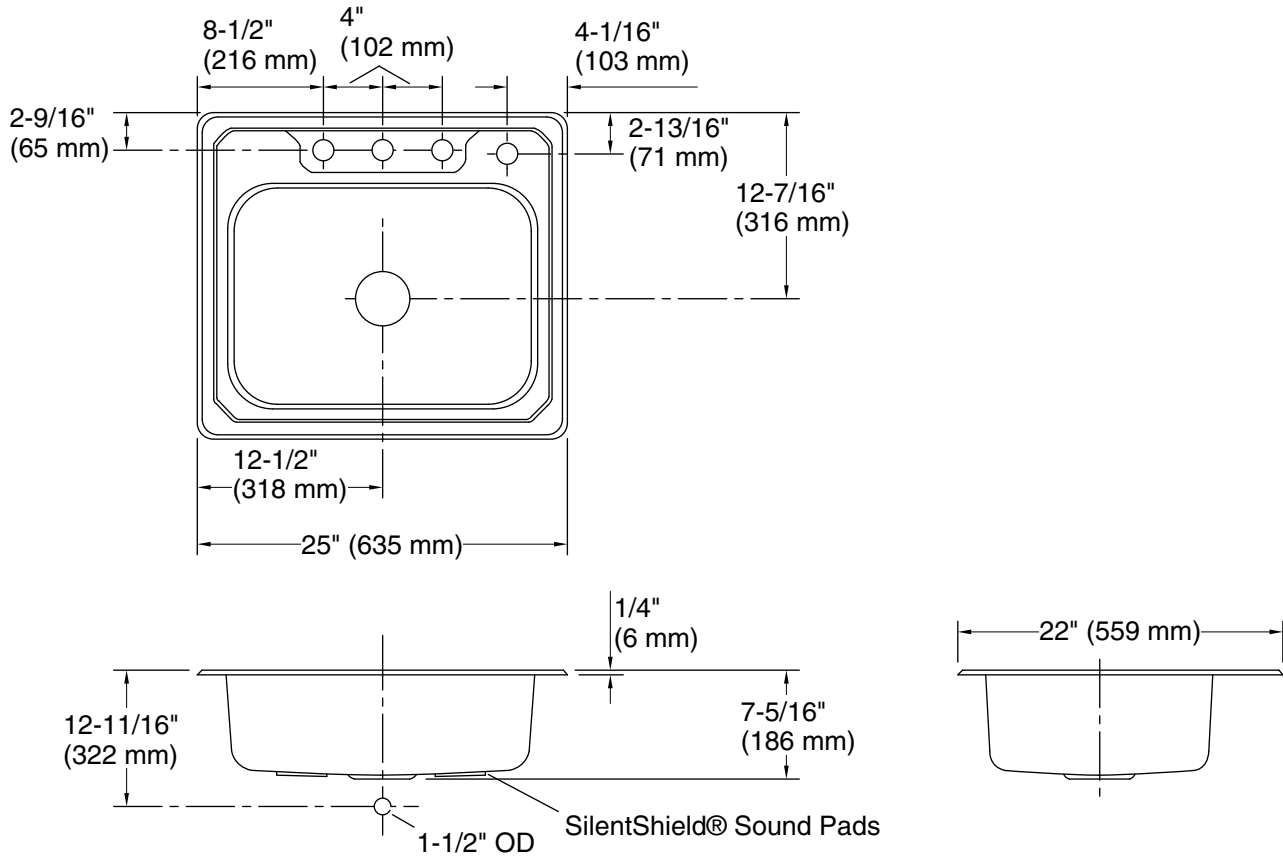


#### Codes/Standards

ASME A112.19.3/CSA B45.4

#### STERLING® Warranty - Stainless Steel Sinks

See website for detailed warranty information.



**Technical Information**

All product dimensions are nominal.

- Bowl configuration: Single
- Installation: Top-mount
- Cutout: Top-mount, 24-1/2" x 21-1/2" (622 mm x 546 mm) with 1/2" (13 mm) radius corners
- Bowl area (Only): Length: 21" (533 mm)  
Width: 15-1/4" (387 mm)  
Bowl depth: 7" (178 mm)  
Water depth: 7" (178 mm)
- Number of deck holes: 4
- Faucet hole spacing: 4" (102 mm)
- Faucet hole(s): 1-7/16" (37 mm)
- Drain hole: 3-5/8" (92 mm)

**Notes**

- Install this product according to the installation instructions.
- Measure your actual product for roughing-in details.