



Middleton®

33" top-mount double-bowl kitchen sink
14708-4

Features

- Four faucet holes
- 8" (203 mm) depth
- 3-5/8" (92 mm) drain opening
- Satin finish

Material

- Premium 20-gauge stainless steel

Installation

- Top-mount

Recommended Products/Accessories

- 11861 Sink Rack
- 7400 Stainless Steel Sink Drain and Strainer
- K-23726 Drain treatment
- K-23729 Stainless steel cleaner

Included Components

- 1150001 Installation Clips

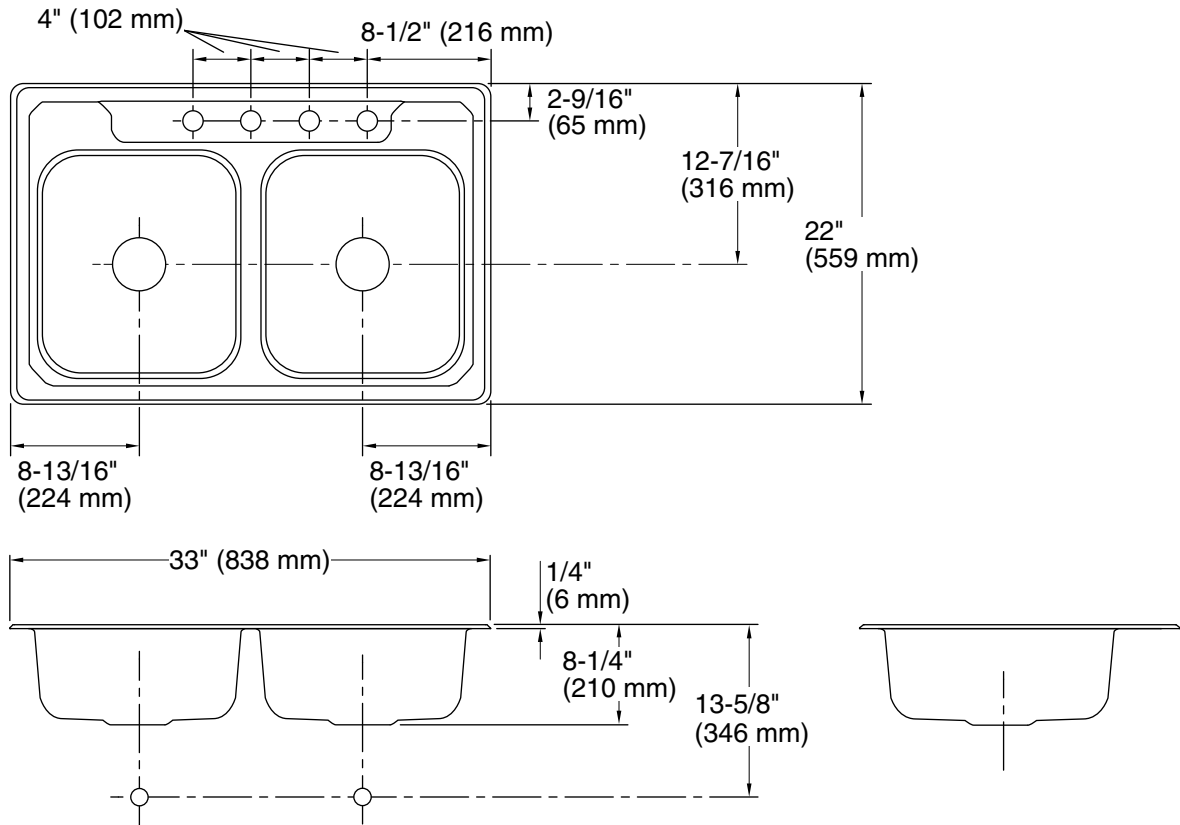


Codes/Standards

- ASME A112.19.3/CSA B45.4
- IAPMO Certification

STERLING® Stainless Steel Sinks Lifetime Limited Warranty

See website for detailed warranty information.



Technical Information

All product dimensions are nominal.

- Bowl configuration: Double equal
- Cutout: Top-mount, 32-1/2" x 21-1/2" (826 mm x 546 mm) with 1/2" (13 mm) radius corners
- Center(s): 4
- Min. base cabinet width: 36" (914 mm)
- Bowl area (Left): Length: 14" (356 mm)
Width: 15-1/8" (384 mm)
Bowl depth: 8" (203 mm)
Water depth: 8" (203 mm)
- Bowl area (Right): Length: 14" (356 mm)
Width: 15-1/8" (384 mm)
Bowl depth: 8" (203 mm)
Water depth: 8" (203 mm)
- Number of deck holes: 4
- Faucet hole spacing: 4" (102 mm)

Faucet hole(s): 1-7/16" (37 mm)

1-800-STERLING (1-800-783-7546)

Kohler Co. reserves the right to make revisions without notice to product specifications.

For the most current Specification Sheet, go to www.sterlingplumbing.com.

3-24-2024 20:08 - US

Notes

Install this product according to the installation instructions.

Measure your actual product for roughing-in details.