



# Middleton®

33" top-mount double-bowl kitchen sink  
**14707-4**

### Features

- Four faucet holes
- 7" depth
- 3-5/8" (92 mm) drain opening
- Satin finish

### Material

- Premium 21-gauge stainless steel

### Installation

- Top-mount

### Recommended Products/Accessories

- 11861 Sink Rack
- 7400 Stainless Steel Sink Drain and Strainer
- K-6039 Sink Rack
- K-23726 Drain treatment
- K-23729 Stainless steel cleaner

### Included Components

- 1150001 Installation Clips

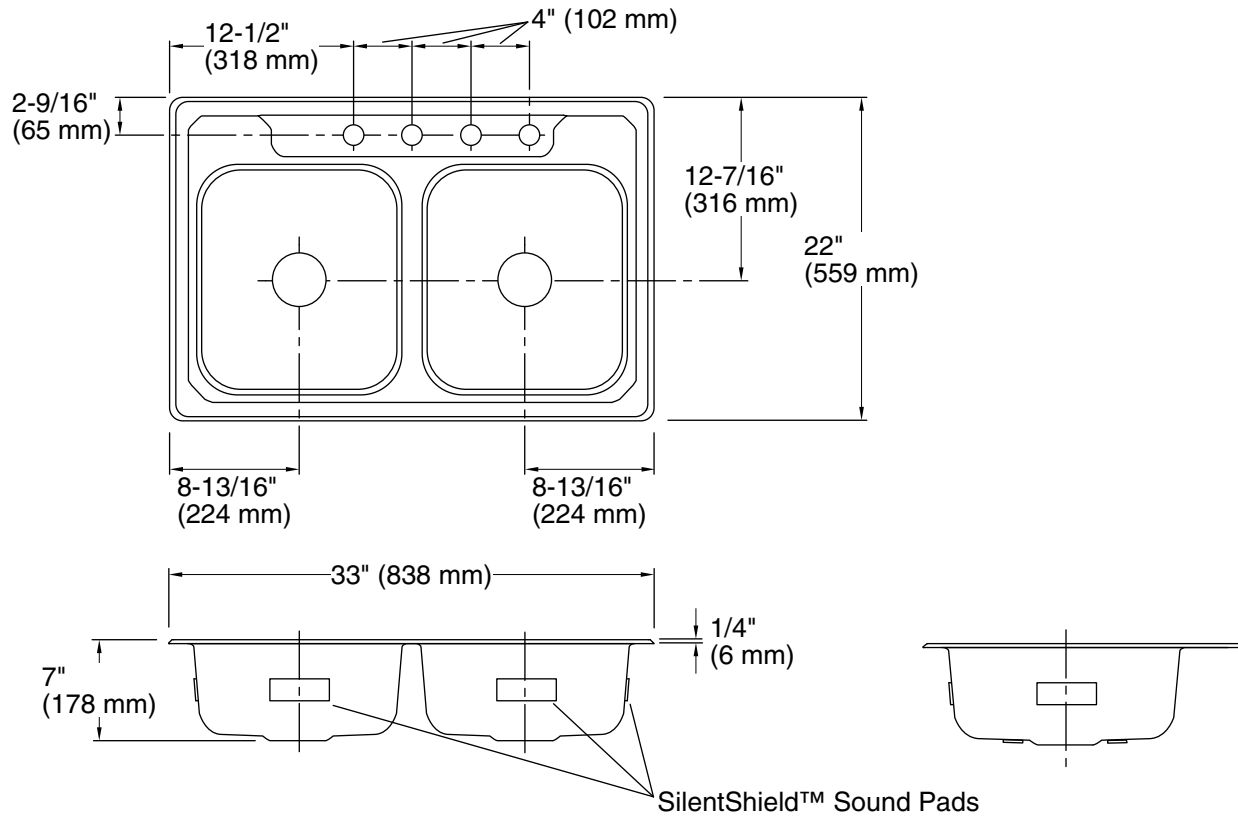


### Codes/Standards

- ASME A112.19.3/CSA B45.4
- IAPMO Certification

### STERLING® Stainless Steel Sinks Lifetime Limited Warranty

See website for detailed warranty information.



### Technical Information

All product dimensions are nominal.

Bowl configuration:	Double equal
Cutout:	Top-mount, 32-1/2" x 21-1/2" (826 mm x 546 mm) with 1/2" (13 mm) radius corners
Center(s):	4
Min. base cabinet width:	36" (914 mm)
Bowl area (Left):	Length: 14" (356 mm) Width: 15-1/8" (384 mm) Bowl depth: 7" (178 mm) Water depth: 7" (178 mm)
Bowl area (Right):	Length: 14" (356 mm) Width: 15-1/8" (384 mm) Bowl depth: 7" (178 mm) Water depth: 7" (178 mm)
Number of deck holes:	4
Faucet hole spacing:	4" (102 mm)

Faucet hole(s): 1-7/16" (37 mm)

1-800-STERLING (1-800-783-7546)

Kohler Co. reserves the right to make revisions without notice to product specifications.

For the most current Specification Sheet, go to [www.sterlingplumbing.com](http://www.sterlingplumbing.com).

3-26-2024 19:53 - US

### Notes

Install this product according to the installation instructions.

Measure your actual product for roughing-in details.