



Middleton®
Top-mount Kitchen Sink
14633-4

Features

- Four faucet holes.
- 6" (152 mm) depth.
- 3-5/8" (92 mm) drain opening.
- Stainless steel with luster finish.

Material

- Premium 20-gauge stainless steel.

Installation

- Top-mount.

Recommended Products/Accessories

7400 Stainless Steel Sink Drain and Strainer
K-23726 Drain treatment
K-23729 Stainless steel cleaner

Included Components

Product consists of:
1150001



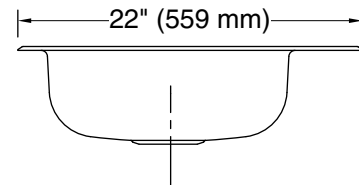
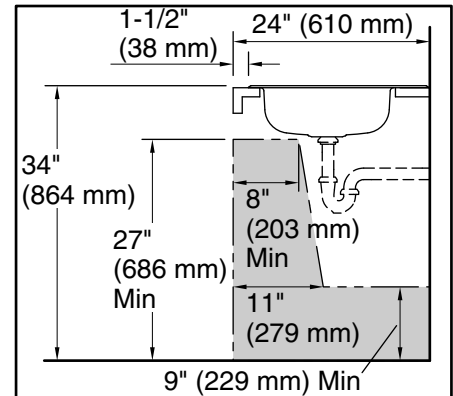
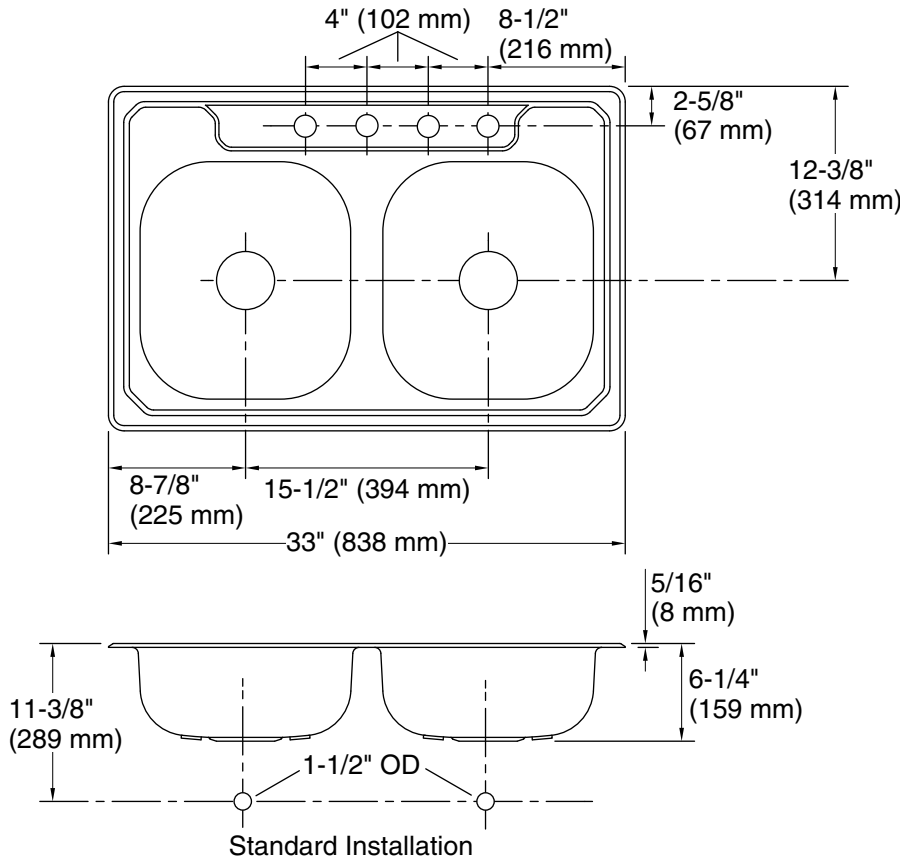
ADA

Codes/Standards

ASME A112.19.3/CSA B45.4
ADA
ICC/ANSI A117.1

STERLING® Warranty - Stainless Steel Sinks

See website for detailed warranty information.



Technical Information

All product dimensions are nominal.

Bowl configuration: Double equal

Installation: Top-mount

Cutout: Top-mount, 32-1/2" x 21-1/2" (826 mm x 546 mm) with 11/16" (18 mm) radius corners

Bowl area (Left): Length: 13-3/4" (349 mm)
Width: 15-1/2" (394 mm)
Bowl depth: 6" (152 mm)
Water depth: 6" (152 mm)

Bowl area (Right): Length: 13-3/4" (349 mm)
Width: 15-1/2" (394 mm)
Bowl depth: 6" (152 mm)
Water depth: 6" (152 mm)

Number of deck holes: 4

Faucet hole spacing: 4" (102 mm)

Faucet hole(s): 1-7/16" (37 mm)

Drain hole: 3-5/8" (92 mm)

Notes

Install this product according to the installation instructions.

Measure your actual product for roughing-in details.

ADA compliant when installed to the specific requirements of these regulations.