



# Middleton®

Top-mount Kitchen Sink  
14633-4F

## Features

- Top-mount.
- Four faucet holes.
- 6"-deep double bowls.
- 3-5/8" drain opening.
- Stainless steel with luster finish.
- SilentShield® sound-absorption technology offers quieter performance.

## Material

- Premium 20-gauge stainless steel.

## Recommended Products/Accessories

- 7400 Sink Strainer
- K-23726 Drain treatment
- K-23729 Stainless steel cleaner

## Included Components

- Product consists of:
- 1150001 Installation Clips



ADA

## Codes/Standards

ASME A112.19.3/CSA B45.4  
ADA  
ICC/ANSI A117.1

## STERLING® Warranty - Stainless Steel Sinks

See website for detailed warranty information.

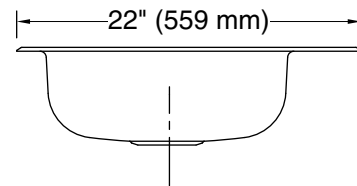
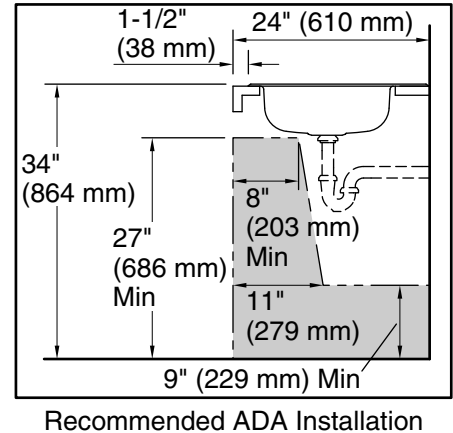
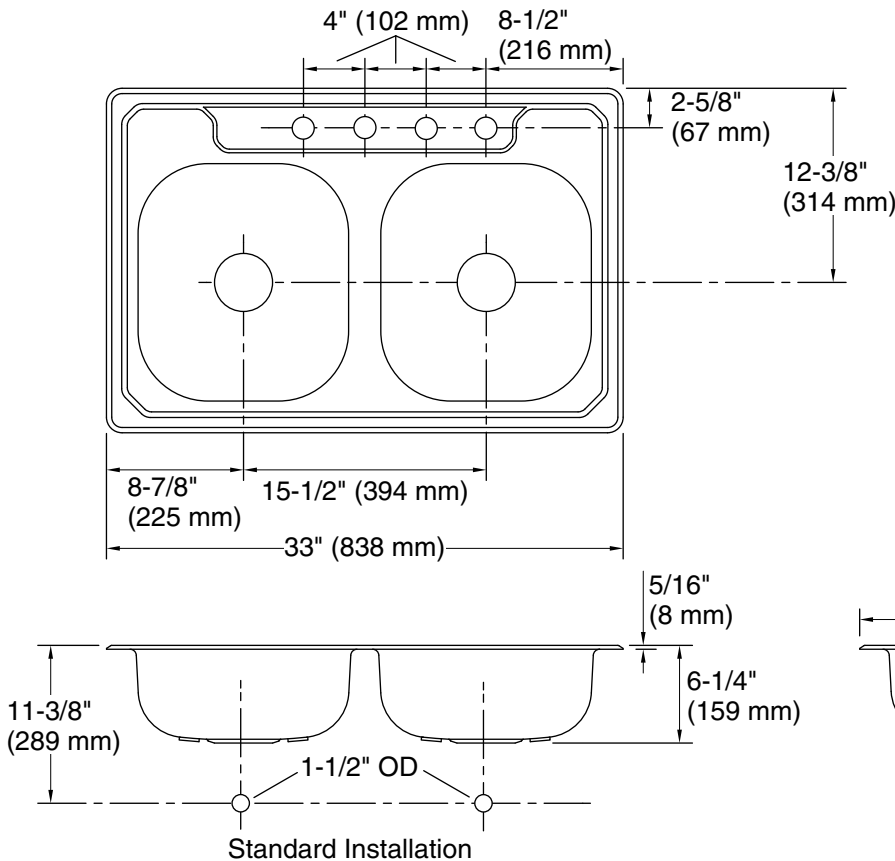
---

1-800-STERLING (1-800-783-7546)

Kohler Co. reserves the right to make revisions without notice to product specifications.

For the most current Specification Sheet, go to [www.sterlingplumbing.com](http://www.sterlingplumbing.com).

3-2-2020 06:56 - US



**Technical Information**

All product dimensions are nominal.

- Bowl configuration: Double equal
- Installation: Top-mount
- Cutout: Top-mount, 32-1/2" x 21-1/2" (826 mm x 546 mm) with 11/16" (18 mm) radius corners
- Bowl area (Left): Length: 13-3/4" (349 mm)  
Width: 15-1/2" (394 mm)  
Bowl depth: 6" (152 mm)  
Water depth: 6" (152 mm)
- Bowl area (Right): Length: 13-3/4" (349 mm)  
Width: 15-1/2" (394 mm)  
Bowl depth: 6" (152 mm)  
Water depth: 6" (152 mm)
- Number of deck holes: 4
- Faucet hole spacing: 4" (102 mm)
- Faucet hole(s): 1-7/16" (37 mm)
- Drain hole: 3-5/8" (92 mm)

**Notes**

- Install this product according to the installation instructions.
- Measure your actual product for roughing-in details.
- ADA compliant when installed to the specific requirements of these regulations.