



Middleton®

Top-mount Kitchen Sink

14633-3

Features

- Three faucet holes.
- 6"-deep double bowls.
- 3-5/8" (92 mm) drain opening.
- Stainless steel with luster finish.
- SilentShield® sound-absorption technology offers quieter performance.

Material

- Premium 20-gauge stainless steel.

Installation

- Top-mount.

Recommended Products/Accessories

7400 Sink Strainer
K-23726 Drain treatment
K-23729 Stainless steel cleaner

Included Components

Product consists of:
1150001 Installation Clips



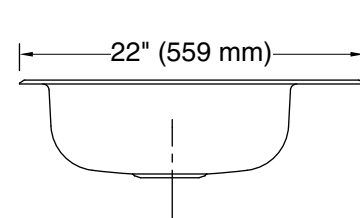
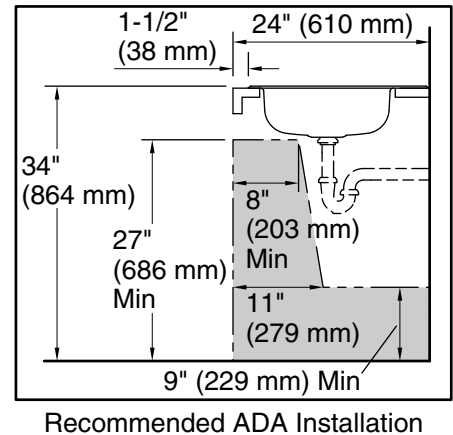
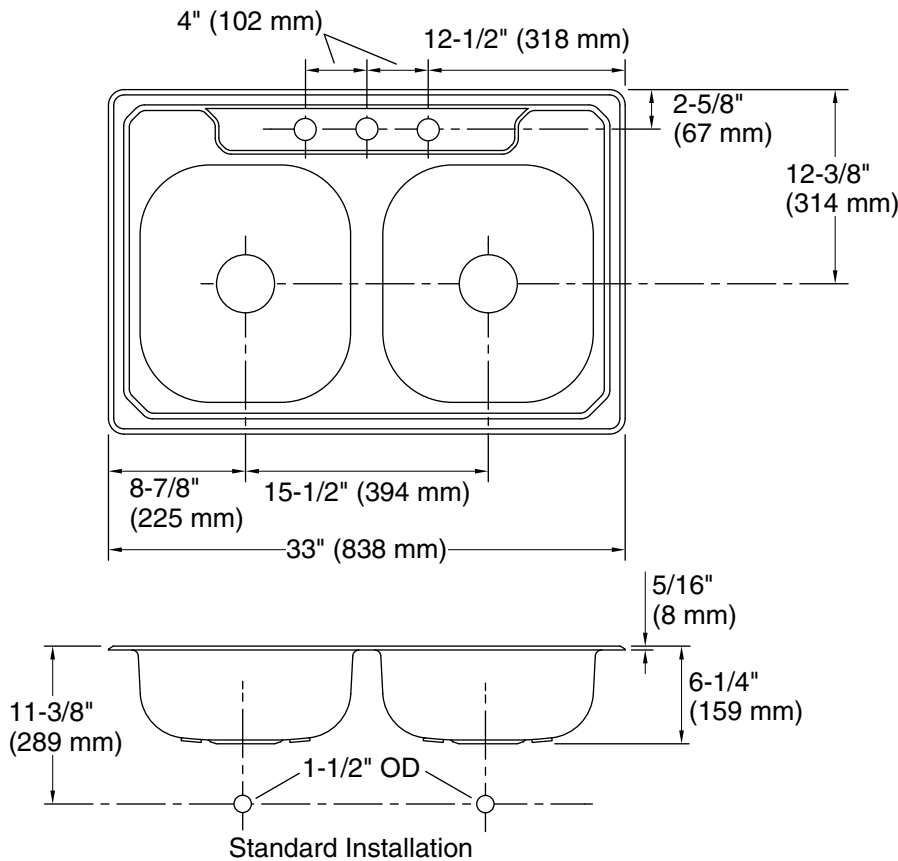
ADA

Codes/Standards

ASME A112.19.3/CSA B45.4
ADA
ICC/ANSI A117.1

STERLING® Warranty - Stainless Steel Sinks

See website for detailed warranty information.



Technical Information

All product dimensions are nominal.

Bowl configuration: Double equal

Installation: Top-mount

Cutout: Top-mount, 32-1/2" x 21-1/2" (826 mm x 546 mm) with 11/16" (18 mm) radius corners

Bowl area (Left): Length: 13-3/4" (349 mm)

Width: 15-1/2" (394 mm)

Bowl depth: 6" (152 mm)

Water depth: 6" (152 mm)

Bowl area (Right): Length: 13-3/4" (349 mm)

Width: 15-1/2" (394 mm)

Bowl depth: 6" (152 mm)

Water depth: 6" (152 mm)

Number of deck holes: 3

Faucet hole(s): 1-7/16" (37 mm)

Drain hole: 3-5/8" (92 mm)

Notes

Install this product according to the installation instructions.

Measure your actual product for roughing-in details.

ADA compliant when installed to the specific requirements of these regulations.