



Top-mount Kitchen Sink 14619-4

Features

- Four faucet holes.
- 6" (152 mm) depth.
- 3-5/8" drain opening, no overflow.
- Stainless steel with luster bowl finish and a satin deck finish.

Material

- Premium 20-gauge stainless steel.

Installation

- Top-mount.

Recommended Products/Accessories

7400 Sink Strainer
K-23726 Drain treatment
K-23729 Stainless steel cleaner

Included Components

Product consists of:
1150001 Installation Clips



ADA

Codes/Standards

ASME A112.19.3/CSA B45.4
ADA
ICC/ANSI A117.1

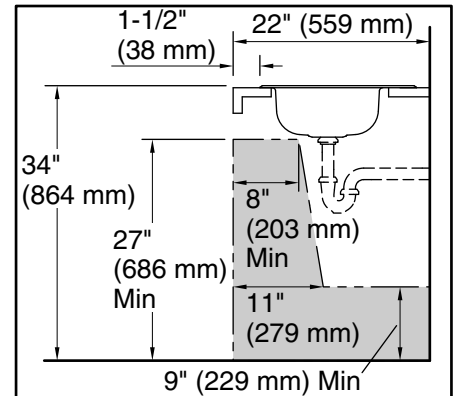
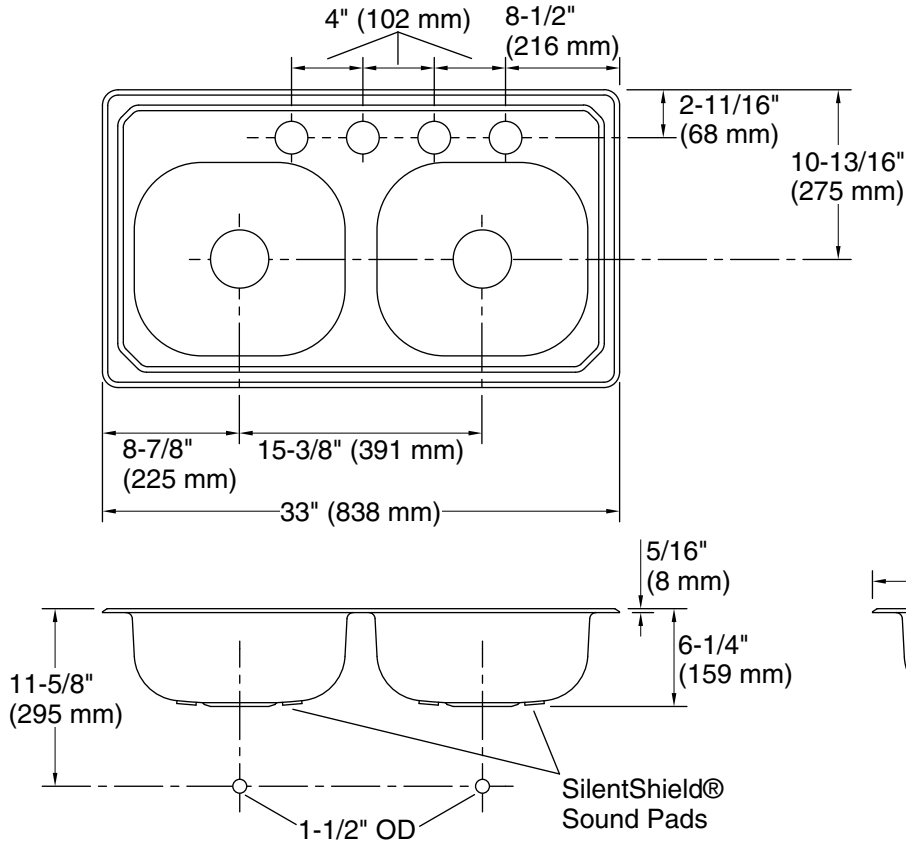
STERLING® Warranty - Stainless Steel Sinks

See website for detailed warranty information.

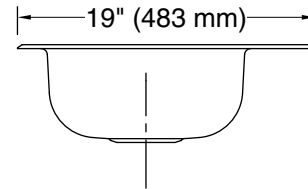
1-800-STERLING (1-800-783-7546)

Kohler Co. reserves the right to make revisions without notice to product specifications.

For the most current Specification Sheet, go to www.sterlingplumbing.com.



Recommended ADA Installation



Technical Information

All product dimensions are nominal.

Bowl configuration: Double equal

Installation: Top-mount

Cutout: Top-mount, 32-1/2" x 18-1/2" (826 mm x 470 mm) with 3/4" (19 mm) radius corners

Bowl area (Left): Bowl depth: 6" (152 mm)
Water depth: 6" (152 mm)

Bowl area (Right): Bowl depth: 6" (152 mm)
Water depth: 6" (152 mm)

Number of deck holes: 4

Faucet hole spacing: 4" (102 mm)

Faucet hole(s): 1-7/16" (37 mm)

Drain hole: 3-5/8" (92 mm)

Notes

Install this product according to the installation instructions.

Measure your actual product for roughing-in details.

ADA compliant when installed to the specific requirements of these regulations.