



Top-mount Kitchen Sink 14619-4

Features

- Top-mount.
- Four faucet holes.
- 6"-deep double bowls.
- 3-5/8" drain opening, no overflow.
- Stainless steel with luster basin finish and a satin deck finish.
- SilentShield® sound-absorption technology offers quieter performance.

Material

- Premium 20-gauge stainless steel.

Recommended Products/Accessories

- 7400 Sink Strainer
- K-23726 Drain treatment
- K-23729 Stainless steel cleaner

Included Components

Product consists of:

- 1150001 Installation Clips



ADA

Codes/Standards

ASME A112.19.3/CSA B45.4
ADA
ICC/ANSI A117.1

STERLING® Warranty - Stainless Steel Sinks

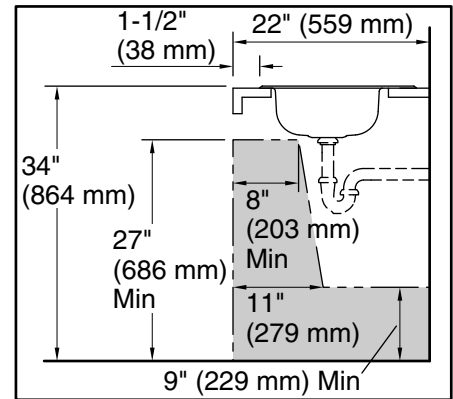
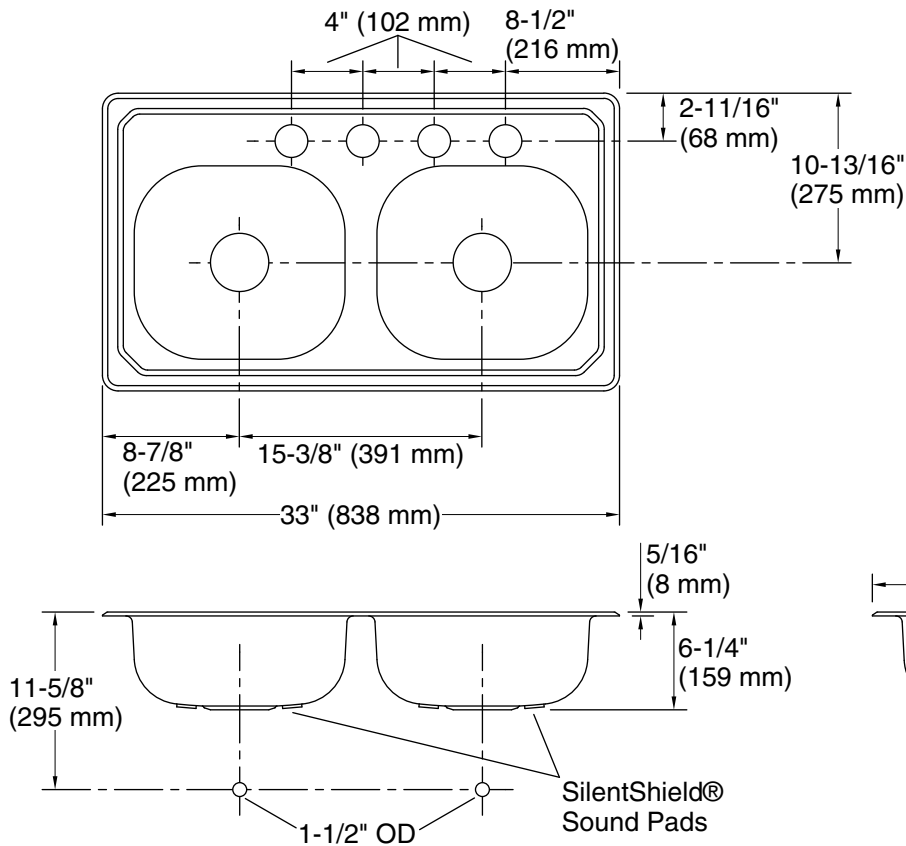
See website for detailed warranty information.

1-800-STERLING (1-800-783-7546)

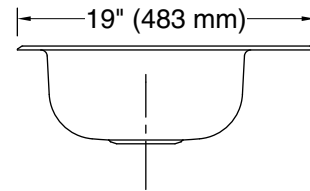
Kohler Co. reserves the right to make revisions without notice to product specifications.

For the most current Specification Sheet, go to www.sterlingplumbing.com.

3-2-2020 06:55 - US



Recommended ADA Installation



Technical Information

All product dimensions are nominal.

- Bowl configuration: Double equal
 Installation: Top-mount
 Cutout: Top-mount, 32-1/2" x 18-1/2" (826 mm x 470 mm) with 3/4" (19 mm) radius corners
 Bowl area (Left): Bowl depth: 6" (152 mm)
 Water depth: 6" (152 mm)
 Bowl area (Right): Bowl depth: 6" (152 mm)
 Water depth: 6" (152 mm)
 Number of deck holes: 4
 Faucet hole spacing: 4" (102 mm)
 Faucet hole(s): 1-7/16" (37 mm)
 Drain hole: 3-5/8" (92 mm)

Notes

- Install this product according to the installation instructions.
 Measure your actual product for roughing-in details.
 ADA compliant when installed to the specific requirements of these regulations.