



13-3/4" round drop-in/undermount bathroom sink, no overflow
1411-0

Features

- No faucet holes; requires wall- or counter-mount faucet
- Center drain, no overflow
- Mirror finish gives a clean, gloss look
- Crafted from 20 gauge stainless steel

Material

- Premium 20-gauge stainless steel
- Premium 20-gauge stainless steel with mirror finish



Installation

- Drop-in or undermount

Recommended Products/Accessories

- K-23726 Drain treatment
- K-23729 Stainless steel cleaner

Optional Products/Accessories

- 7400 Stainless Steel Sink Drain and Strainer

Included Components

- 1069536 Mounting hardware for undermount installation

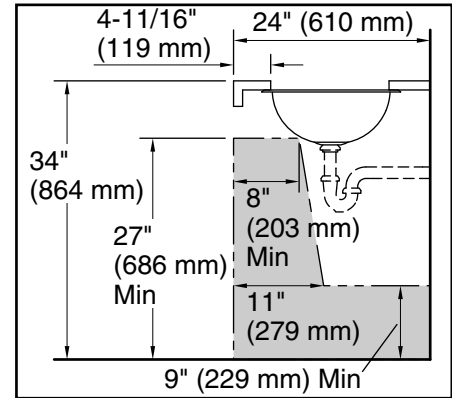
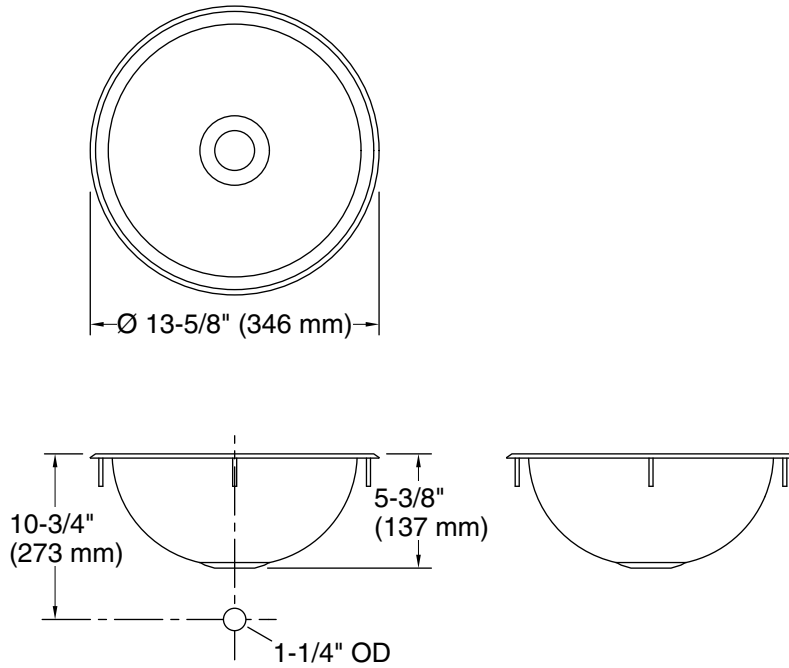
ADA

Codes/Standards

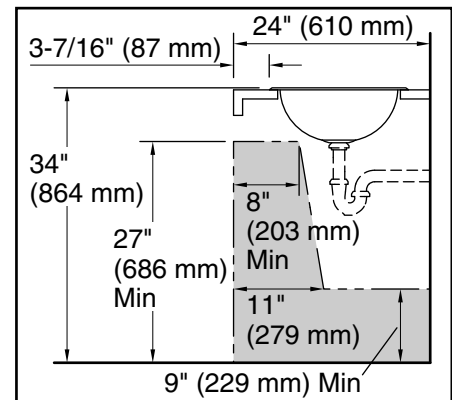
ADA
ICC/ANSI A117.1

STERLING® Stainless Steel Bathroom Sinks Five-Year Limited Warranty

See website for detailed warranty information.



Recommended ADA Installation



Technical Information

All product dimensions are nominal.

Bowl configuration: Single

Min. base cabinet width: 18" (457 mm)

Bowl area (Only): Length: 11-1/2" (292 mm)
Width: 11-1/2" (292 mm)
Bowl depth: 5-1/4" (133 mm)

Drain hole: 2" (51 mm)

Template: 1033115-7, not required, not included

Notes

Install this product according to the installation instructions.

Measure your actual product for roughing-in details.

ADA compliant when installed to the specific requirements of these regulations.