



Top-mount/Under-mount Sink  
**1411-0**

### Features

- Center drain, no overflow.
- Mirror finish gives a clean, gloss look.
- Crafted from 20 gauge stainless steel.
- SilentShield® sound-absorption technology offers quieter performance.

### Material

- Premium 20-gauge stainless steel.
- Premium 20-gauge stainless steel with mirror finish.

### Installation

- Drop-in or undermount.
- No faucet holes; requires wall-or counter-mount faucet.

### Recommended Products/Accessories

- K-23726 Drain treatment
- K-23729 Stainless steel cleaner

### Optional Products/Accessories

- 7400 Sink Strainer

### Included Components

- Product consists of:
- 1069536 Mounting hardware for undermount installation



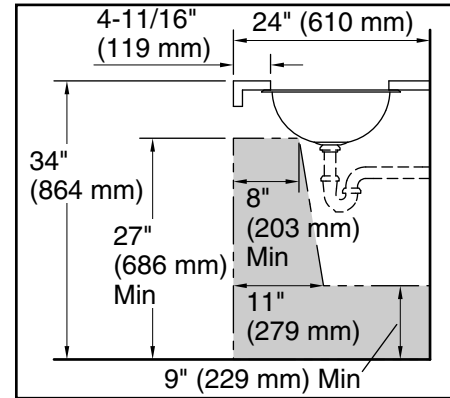
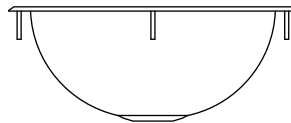
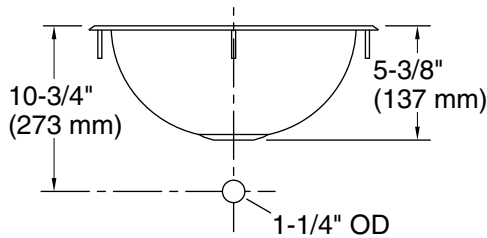
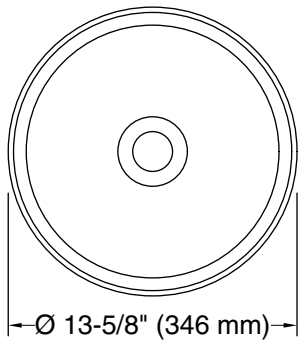
**ADA**

### Codes/Standards

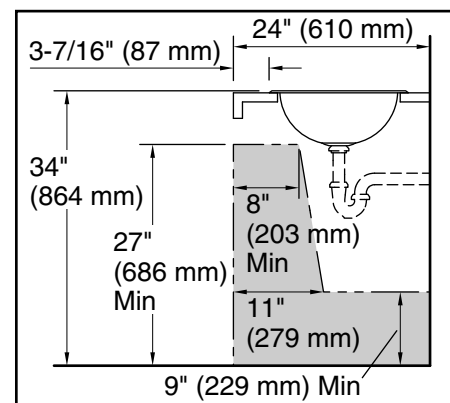
ADA  
ICC/ANSI A117.1

### STERLING® Warranty - Stainless Steel Sinks

See website for detailed warranty information.



Recommended ADA Installation



**Technical Information**

All product dimensions are nominal.

- Bowl configuration: Single
- Installation: Top-mount, Under-mount
- Min. base cabinet width: 18" (457 mm)
- Bowl area (Only): Length: 11-1/2" (292 mm)  
Width: 11-1/2" (292 mm)  
Bowl depth: 5-1/4" (133 mm)
- Drain hole: 2" (51 mm)
- Template: 1033115-7, not required, not included

**Notes**

- Install this product according to the installation instructions.
- Measure your actual product for roughing-in details.
- ADA compliant when installed to the specific requirements of these regulations.