

# STERLING®

A KOHLER COMPANY

WINDHAM™

## ALL-IN-ONE HET-HIGH EFFICIENCY TOILET 404705

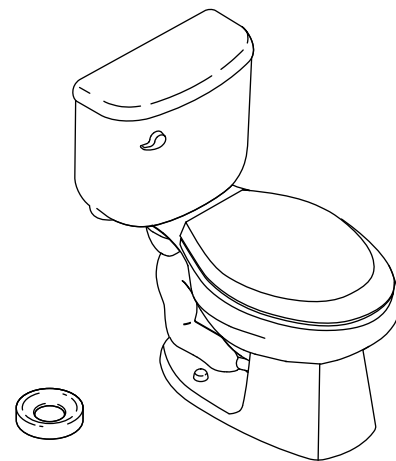
### Features

- Vitreous china
- Sterling Pro Force® Technology
- Elongated bowl
- Three-bolt, quick-connect installation system
- 1.28 gpf (4.8 lpf)
- Flushes efficiently regardless of incoming water pressure
- 5-year limited warranty
- 2" (51 mm) fully glazed trapway
- Includes seat, cover, wax ring, left-hand polished chrome trip lever, and floor hardware
- 12" (305 mm) rough-in
- Less supply
- Large 8" (203 mm) x 10" (254 mm) water surface
- 29-1/8" (740 mm) x 15" (381 mm) x 31" (787 mm)

ADA

CSA B651

OBC



### Codes/Standards Applicable

Specified model meets or exceeds the following:

- ADA
- ICC/ANSI A117.1
- ASME A112.19.2/CSA B45.1
- CSA B651
- OBC
- EPA WaterSense®

### Colors/Finishes

- 0: White

### Specified Model

Model	Description	Included Tank	Included Bowl	Colors/Finishes
404705	All-in-One HET-High Efficiency Toilet	404551	403315	☐ 0

## Technical Information

Fixture:	
Configuration	2-piece, elongated
Water per full flush	1.28 gal (4.8 L)
Passageway	2" (51 mm)
Water area	8" (203 mm) x 10" (254 mm)
Seat post hole centers	5-1/2" (140 mm)

Included components:	
Bowl	403315
Tank	404551
Tank lid	1203861
Trip lever	84625
Toilet seat	K-4774
Bolt cap accessory pack	1013092
Wax ring and hardware installation kit	1023457

## Installation Notes

Install this product according to the installation guide.

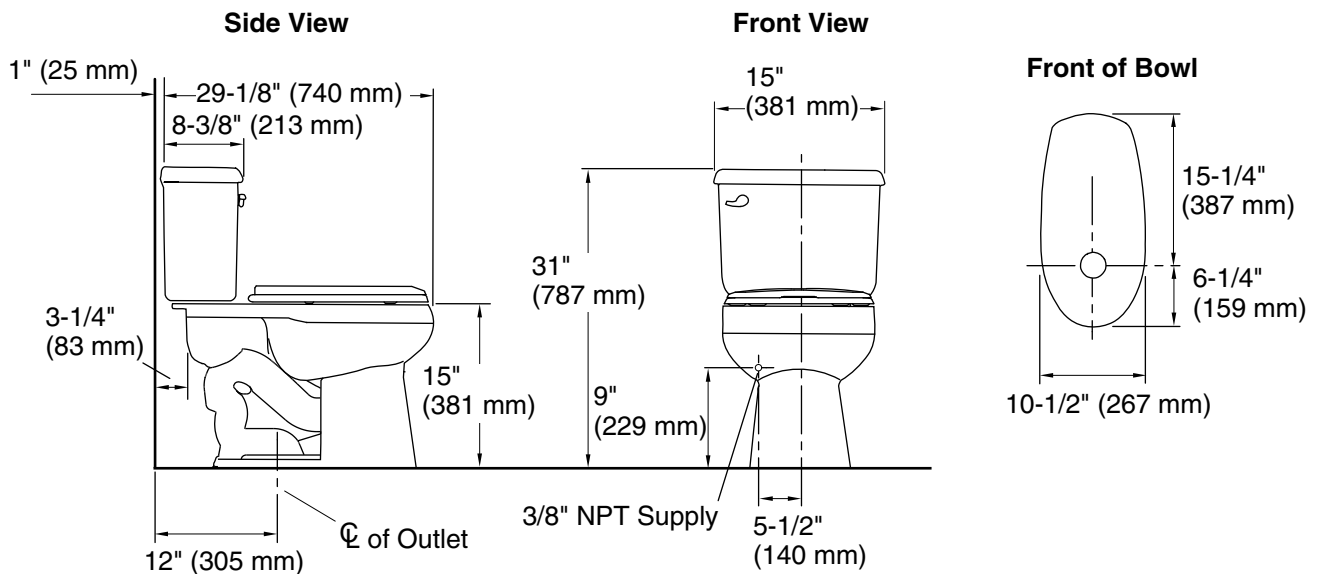
One flush cleansing of the bowl per ASME A112.19.2/CSA B45.1 and Dual Force® toilets per ASME A112.19.14-2006 performance requirements, when installed and operated per instructions packed with the product.

Will comply with the American Disabilities Act (**ADA**) when installed per the requirements of the Accessibility Guidelines, Section 604 Water Closets, of the Act. The Model Plumbing Codes require the installation of elongated open-front toilet seats in public bathrooms.

The model is acceptable for left-hand Accessible compartment installations only.

Will comply with **CSA B651** when installed per Clause 4.3.6 of the standard.

Will comply with **OBC** when installed per Clause 3.8.3.8 and 3.8.3.9.



## Product Diagram