



# Southaven®

## Top-mount Kitchen Sink

### 11850-4

#### Features

- Top-mount.
- Four faucet holes.
- 8-1/2"-deep double bowls.
- 3-5/8" drain opening.
- Stainless steel with durable satin finish.
- SilentShield® sound-absorption technology offers quieter performance.

#### Material

- Premium 18-gauge stainless steel.

#### Recommended Products/Accessories

- 7400 Sink Strainer
- 11861 Sink Rack
- K-6139 Sponge Caddy
- K-23726 Drain treatment
- K-23729 Stainless steel cleaner

#### Included Components

- Product consists of:
- 1150001 Installation Clips

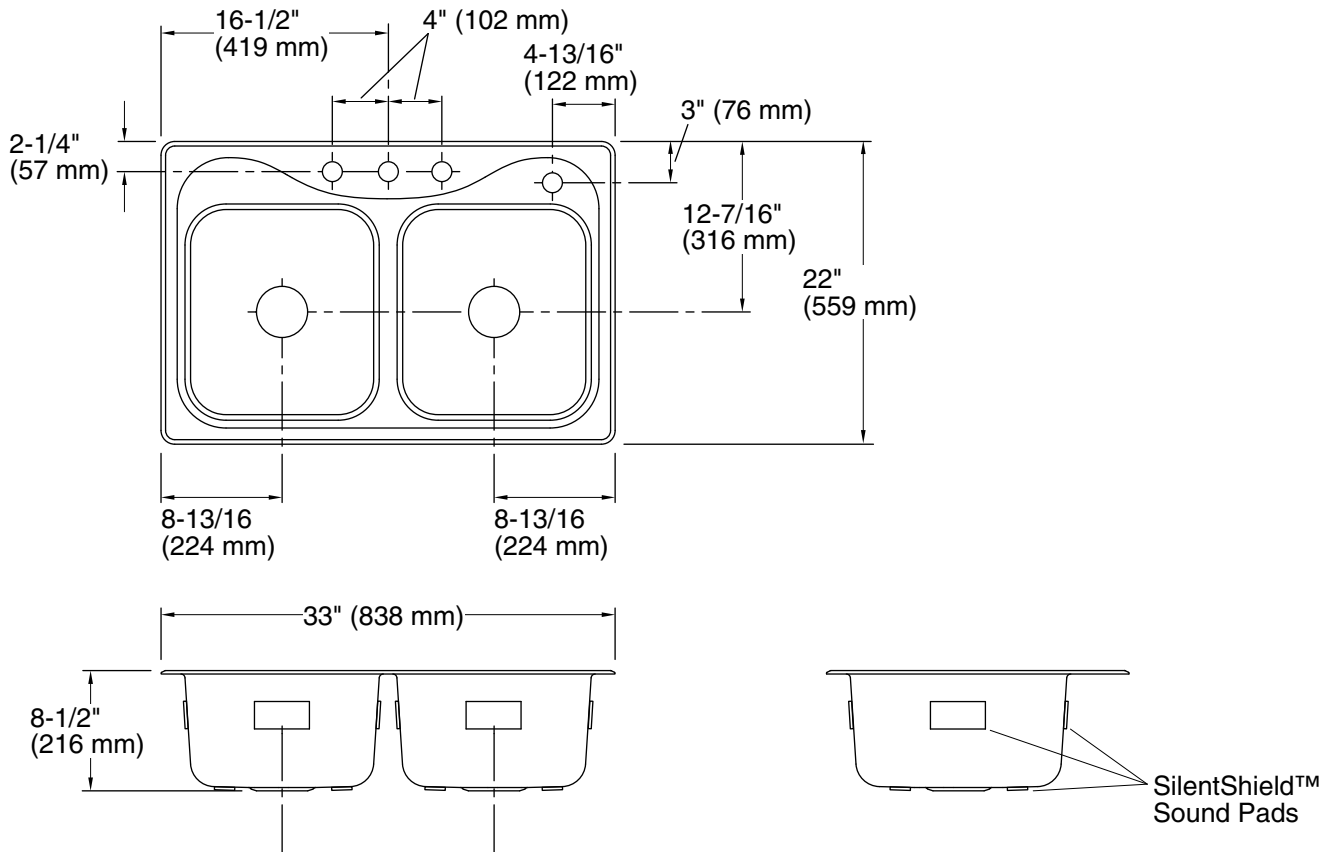


#### Codes/Standards

ASME A112.19.3/CSA B45.4

#### STERLING® Warranty - Stainless Steel Sinks

See website for detailed warranty information.



**Technical Information**

All product dimensions are nominal.

Bowl configuration: Double equal

Installation: Top-mount

Cutout: Top-mount, 32-1/2" x 21-1/2" (826 mm x 546 mm) with 1/2" (13 mm) radius corners

Min. base cabinet width: 36" (914 mm)

Bowl area (Left): Length: 14" (356 mm)  
Width: 15-1/8" (384 mm)  
Bowl depth: 8-1/2" (216 mm)  
Water depth: 8-1/2" (216 mm)

Bowl area (Right): Length: 14" (356 mm)  
Width: 15-1/8" (384 mm)  
Bowl depth: 8-1/2" (216 mm)  
Water depth: 8-1/2" (216 mm)

Number of deck holes: 4

Faucet hole spacing: 4" (102 mm)

Faucet hole(s): 1-7/16" (37 mm)

Drain hole: 3-5/8" (92 mm)

**Notes**

Install this product according to the installation instructions.

Measure your actual product for roughing-in details.