



13-1/4" oval drop-in/undermount bathroom sink, no overflow
1181-0

Features

- No faucet holes; requires wall- or counter-mount faucet
- Center drain, no overflow

Material

- Premium 20-gauge stainless steel with mirror finish

Installation

- Drop-in or undermount

Recommended Products/Accessories

- K-23726 Drain treatment
- K-23729 Stainless steel cleaner

Optional Products/Accessories

- 7400 Stainless Steel Sink Drain and Strainer

Included Components

- 1069536 Mounting hardware for undermount installation

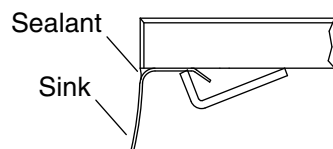
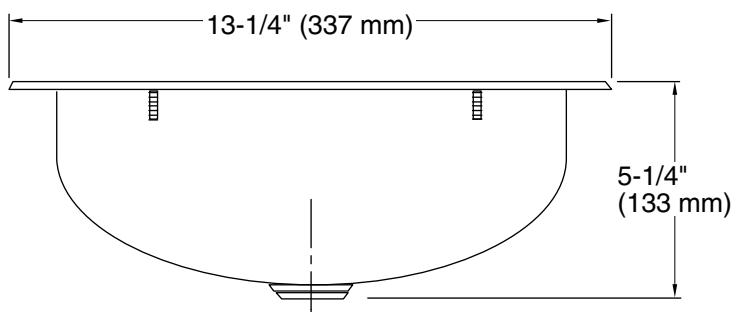
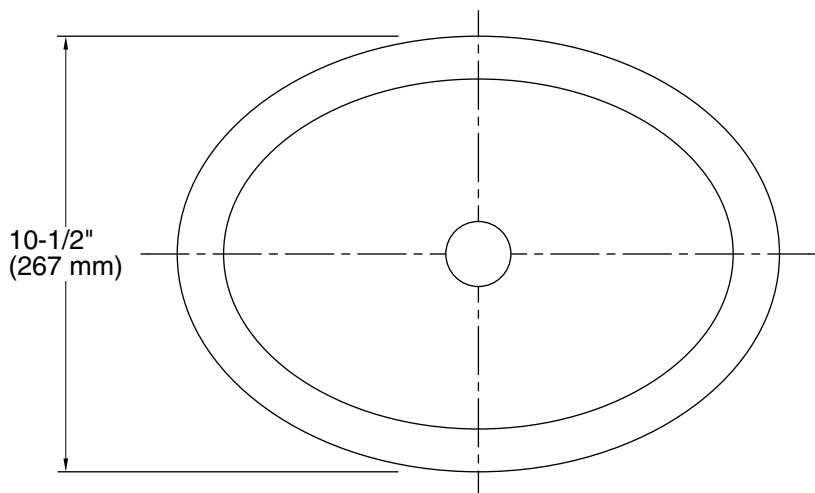


Codes/Standards

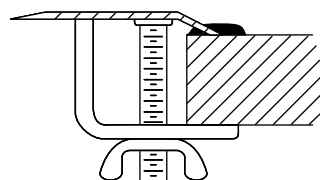
- ASME A112.19.3/CSA B45.4
- IAPMO Certification

STERLING® Stainless Steel Bathroom Sinks Five-Year Limited Warranty

See website for detailed warranty information.



Under-mount Installation



Stud mounting provides easy installation

Top-mount Installation

Technical Information

All product dimensions are nominal.

Bowl configuration:	Single
Bowl area:	Length: 10-1/2" (267 mm) Bowl depth: 5" (127 mm) Water depth: 5" (127 mm)
With overflow:	No
Drain hole:	1-3/4" (44 mm)
Template:	1033117-7, not required, included

Notes

Install this product according to the installation instructions.