



Top-mount/Under-mount Sink 1181-0

Features

- Center drain, no overflow.

Material

- Premium 20-gauge stainless steel with mirror finish.

Installation

- Drop-in or undermount.
- No faucet holes; requires wall-or counter-mount faucet.

Recommended Products/Accessories

- K-23726 Drain treatment
- K-23729 Stainless steel cleaner

Optional Products/Accessories

- 7400 Sink Strainer

Included Components

- Product consists of:
- 1069536 Mounting hardware for undermount installation

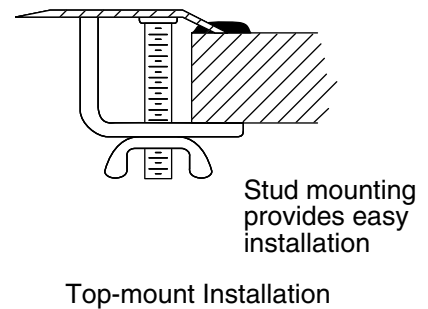
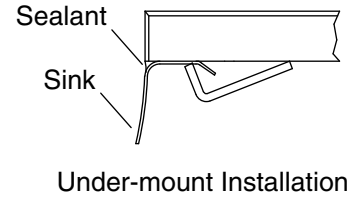
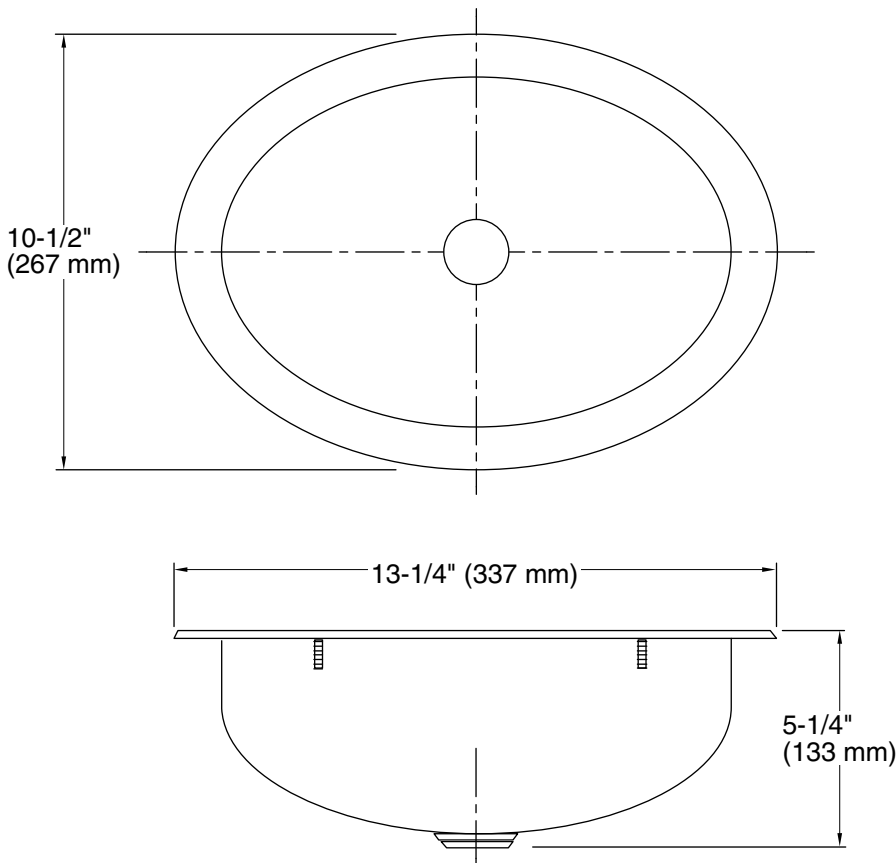


Codes/Standards

ASME A112.19.3/CSA B45.4

STERLING® Warranty - Stainless Steel Sinks

See website for detailed warranty information.



Technical Information

All product dimensions are nominal.

Bowl configuration:	Single
Installation:	Top-mount, Under-mount
Bowl area:	Length: 10-1/2" (267 mm) Diameter: 10-1/2" (267 mm) Bowl depth: 5" (127 mm) Water depth: 5" (127 mm)
Drain hole:	1-3/4" (44 mm)
Template:	1033117-7, not required, included

Notes

Install this product according to the installation instructions.