



Cinch®

Under-Mount Kitchen Sink

11723

Features

- 9"-deep double bowls.
- 3-5/8" rear drain opening.
- Stainless steel with luster finish.
- SilentShield® sound-absorption technology offers quieter performance.

Material

- Premium 18-gauge stainless steel.

Installation

- Undermount.
- No faucet holes; requires wall-or counter-mount faucet.

Recommended Products/Accessories

7400 Sink Strainer
15288 Sink Rack
15289 Sink Rack
K-23726 Drain treatment
K-23729 Stainless steel cleaner

Included Components

Product consists of:
91915 Hardware Kit

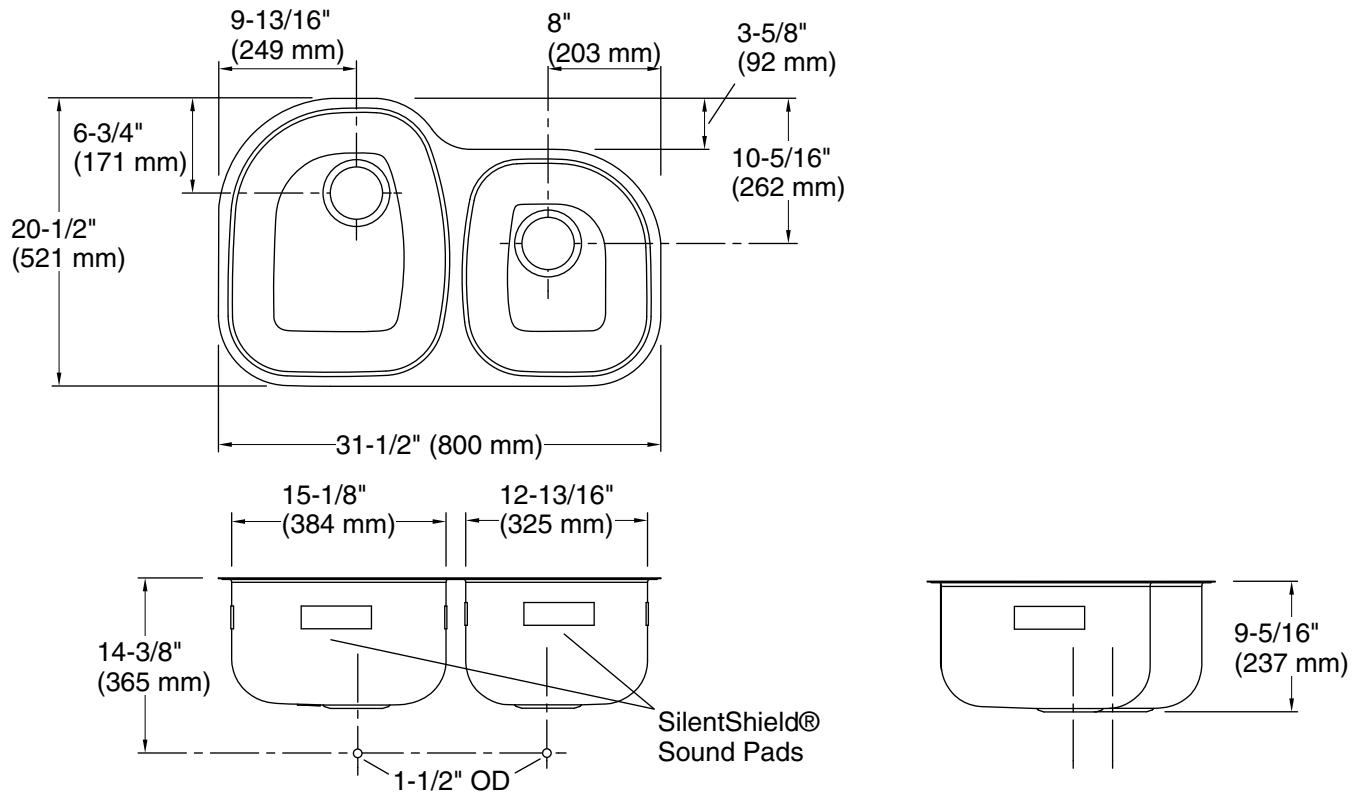


Codes/Standards

ASME A112.19.3/CSA B45.4

STERLING® Warranty - Stainless Steel Sinks

See website for detailed warranty information.



Technical Information

All product dimensions are nominal.

Bowl configuration: Off-set Large/small

Installation: Under-mount

Bowl area (Left): Length: 15-1/8" (384 mm)
Width: 18-1/2" (470 mm)
Bowl depth: 9-5/16" (237 mm)
Water depth: 9-5/16" (237 mm)

Bowl area (Right): Length: 12-13/16" (325 mm)
Width: 14-7/8" (378 mm)
Bowl depth: 9-5/16" (237 mm)
Water depth: 9-5/16" (237 mm)

Drain hole: 3-5/8" (92 mm)

Template: 1105667-7, required, included

Notes

Install this product according to the installation instructions.

Measure your actual product for roughing-in details.