



# Cinch®

## Under-Mount Kitchen Sink

### 11723-1

#### Features

- Single faucet hole.
- 9-5/16"-deep double bowl.
- 3-5/8" rear drain opening.
- Stainless steel with luster finish.
- SilentShield® sound-absorption technology offers quieter performance.

#### Material

- Premium 18-gauge stainless steel.

#### Installation

- Undermount.

#### Recommended Products/Accessories

- 7400 Sink Strainer
- 15288 Sink Rack
- 15289 Sink Rack
- K-23726 Drain treatment
- K-23729 Stainless steel cleaner

#### Included Components

- Product consists of:
- 91915 Hardware Kit

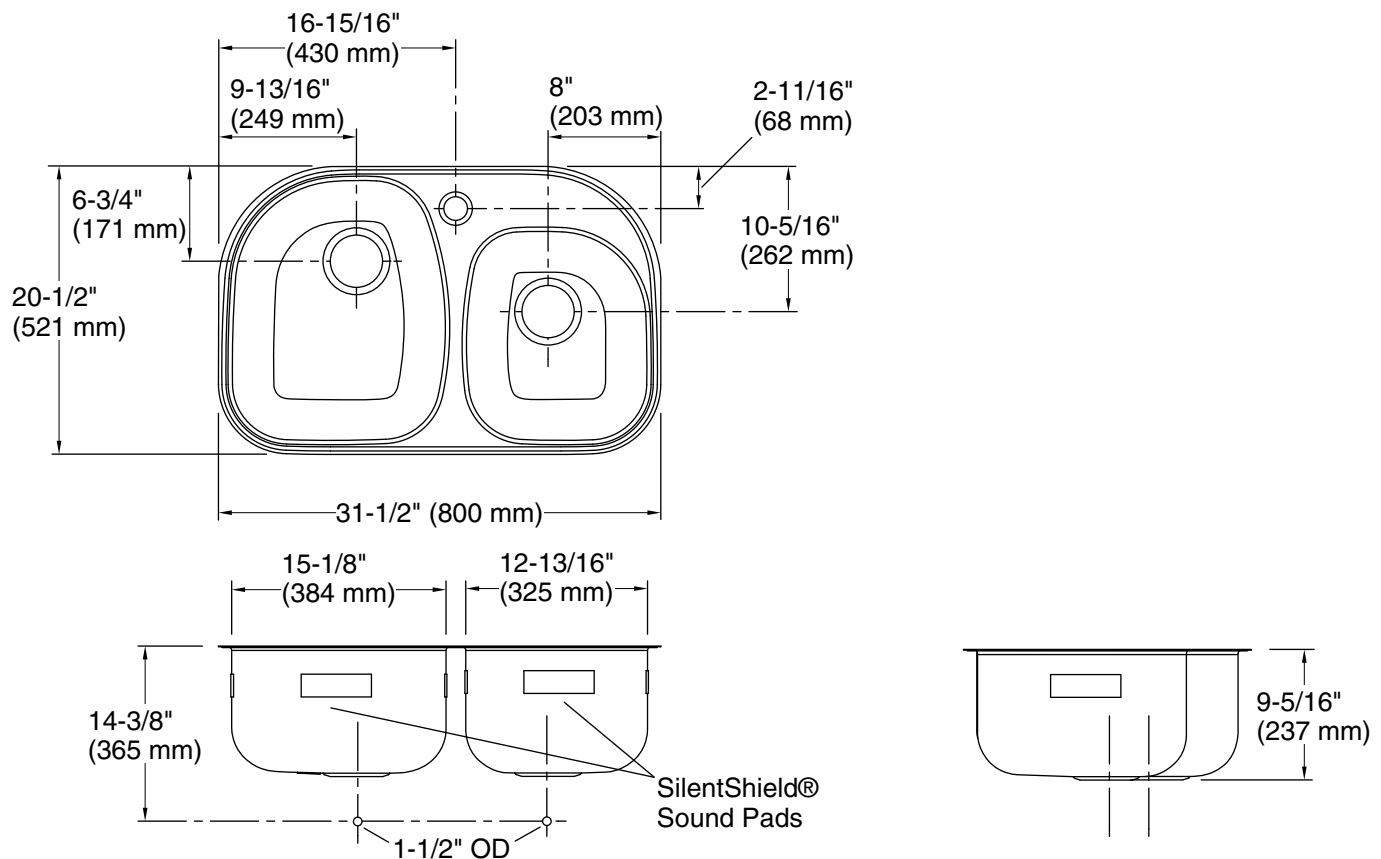


#### Codes/Standards

ASME A112.19.3/CSA B45.4

#### STERLING® Warranty - Stainless Steel Sinks

See website for detailed warranty information.



### Technical Information

All product dimensions are nominal.

Bowl configuration:	Off-set Large/small
Installation:	Under-mount
Bowl area (Left):	Length: 15-1/8" (384 mm) Width: 18-1/2" (470 mm) Bowl depth: 9-5/16" (237 mm) Water depth: 9-5/16" (237 mm)
Bowl area (Right):	Length: 12-13/16" (325 mm) Width: 14-7/8" (378 mm) Bowl depth: 9-5/16" (237 mm) Water depth: 9-5/16" (237 mm)
Number of deck holes:	1
Faucet hole(s):	1-3/8" (35 mm)
Drain hole:	3-5/8" (92 mm)
Template:	1105667-7, required, included

### Notes

Install this product according to the installation instructions.

Measure your actual product for roughing-in details.