



**Cinch®**  
Under-Mount Kitchen Sink  
**11723-1**

**Features**

- Single faucet hole.
- 9-5/16"-deep double bowl.
- 3-5/8" rear drain opening.
- Stainless steel with luster finish.
- SilentShield® sound-absorption technology offers quieter performance.

**Material**

- Premium 18-gauge stainless steel.

**Installation**

- Undermount.

**Recommended Products/Accessories**

- 7400 Sink Strainer
- 15288 Sink Rack
- 15289 Sink Rack
- K-23726 Drain treatment
- K-23729 Stainless steel cleaner

**Included Components**

- Product consists of:
- 91915 Hardware Kit

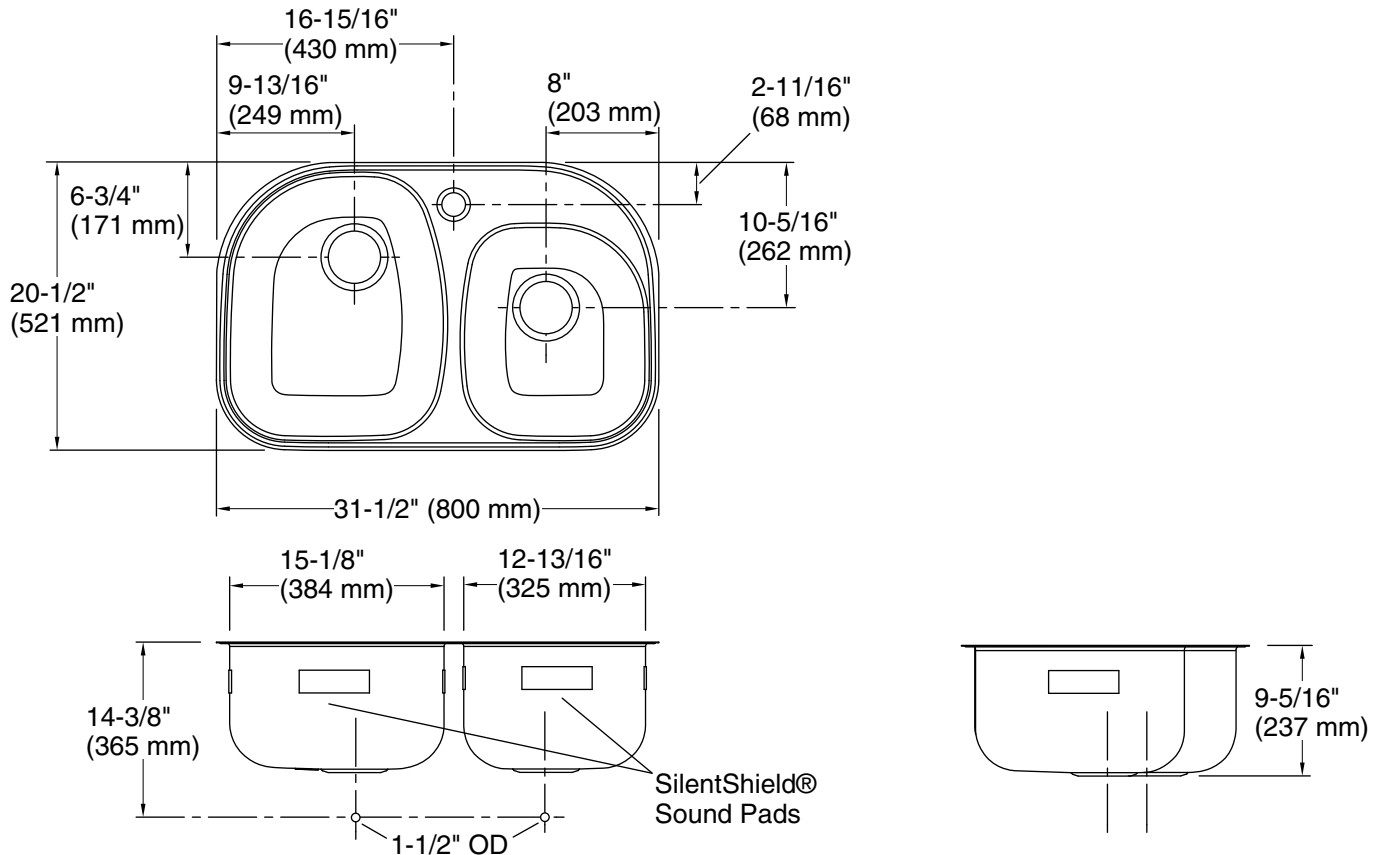


**Codes/Standards**

ASME A112.19.3/CSA B45.4

**STERLING® Warranty - Stainless Steel Sinks**

See website for detailed warranty information.



**Technical Information**

All product dimensions are nominal.

- Bowl configuration: Off-set Large/small
- Installation: Under-mount
- Bowl area (Left): Length: 15-1/8" (384 mm)  
Width: 18-1/2" (470 mm)  
Bowl depth: 9-5/16" (237 mm)  
Water depth: 9-5/16" (237 mm)
- Bowl area (Right): Length: 12-13/16" (325 mm)  
Width: 14-7/8" (378 mm)  
Bowl depth: 9-5/16" (237 mm)  
Water depth: 9-5/16" (237 mm)
- Number of deck holes: 1
- Faucet hole(s): 1-3/8" (35 mm)
- Drain hole: 3-5/8" (92 mm)
- Template: 1105667-7, required, included

**Notes**

- Install this product according to the installation instructions.
- Measure your actual product for roughing-in details.