



**Cinch®**

26-1/2" undermount single-bowl kitchen sink  
**11722**

**Features**

- No faucet holes; requires wall- or counter-mount faucet
- 9-5/16" (237 mm) depth
- 3-5/8" (92 mm) drain opening
- Stainless steel with luster finish

**Material**

- Premium 18-gauge stainless steel

**Installation**

- Undermount

**Recommended Products/Accessories**

- 7400
- 15287 Sink Rack
- K-23726 Drain treatment
- K-23729 Stainless steel cleaner

**Included Components**

- Additional Components:  
91915

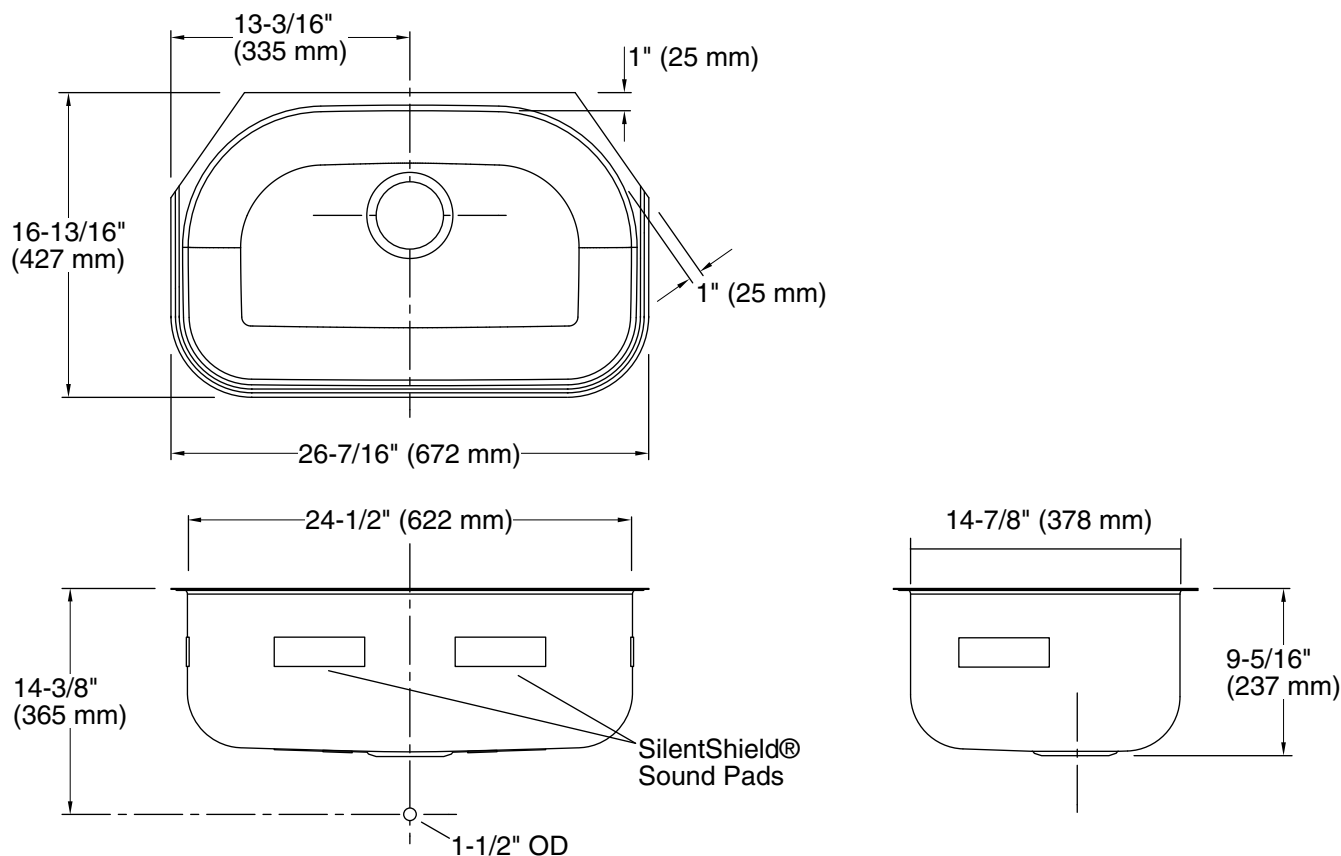


**Codes/Standards**

ASME A112.19.3/CSA B45.4

**STERLING® Stainless Steel Sinks  
Lifetime Limited Warranty**

See website for detailed warranty information.



**Technical Information**

All product dimensions are nominal.

- Bowl configuration: Single
- Installation: Undermount
- Min. base cabinet width: 30" (762 mm)
- Bowl area (Only): Length: 24-1/2" (622 mm)  
Width: 14-7/8" (378 mm)  
Bowl depth: 9-5/16" (237 mm)  
Water depth: 9-5/16" (237 mm)
- Drain hole: 3-5/8" (92 mm)
- Template: 1105665-7, required, included

**Notes**

- Install this product according to the installation instructions.
- Measure your actual product for roughing-in details.