



Carthage®

Under-Mount Kitchen Sink

11605

Features

- 9-5/16"-deep single bowl.
- 3-5/8" rear drain opening.
- Stainless steel with luster finish.
- SilentShield® sound-absorption technology offers quieter performance.

Material

- Premium 18-gauge stainless steel.

Installation

- Undermount.
- No faucet holes; requires wall-or counter-mount faucet.

Recommended Products/Accessories

7400 Sink Strainer
K-23726 Drain treatment
K-23729 Stainless steel cleaner

Included Components

Product consists of:
91915 Hardware Kit

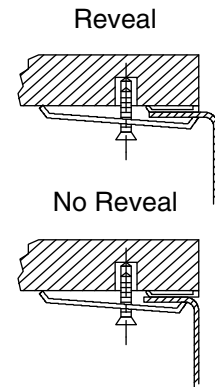
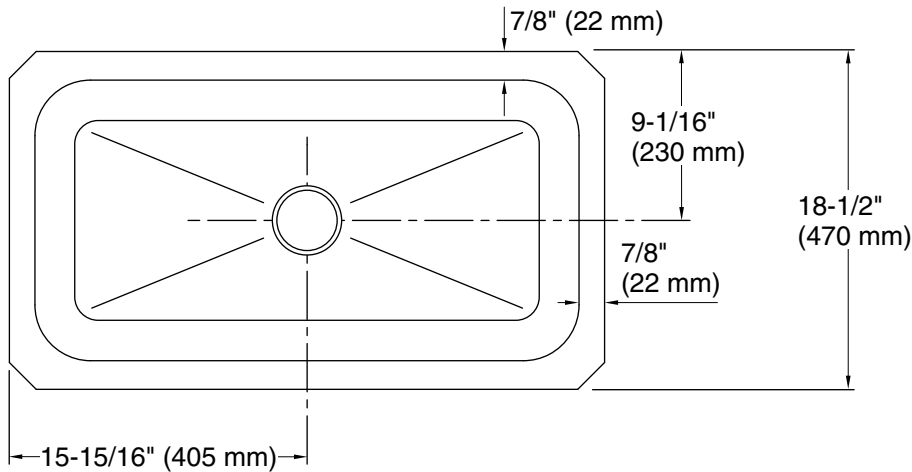


Codes/Standards

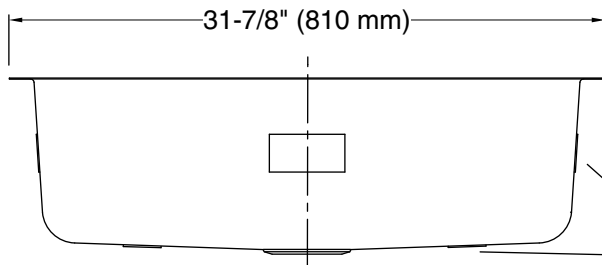
ASME A112.19.3/CSA B45.4

STERLING® Warranty - Stainless Steel Sinks

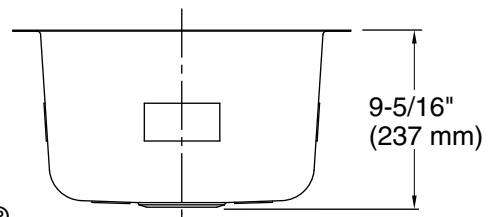
See website for detailed warranty information.



Mounting bracket assembly provides a secure installation.



SilentShield®
Sound Pads



Technical Information

All product dimensions are nominal.

- Bowl configuration: Single
- Installation: Under-mount
- Bowl area (Only): Length: 29-1/2" (749 mm)
Width: 15-3/4" (400 mm)
Bowl depth: 9" (229 mm)
Water depth: 9" (229 mm)
- Drain hole: 3-5/8" (92 mm)
- Template: 1315844-7, required, included

Notes

- Install this product according to the installation instructions.
- Measure your actual product for roughing-in details.
- Use the supplied cut-out template to select either a hidden or exposed rim.