



McAllister®

Undermount single-bowl kitchen sink

11447

Features

- No faucet holes; requires wall- or counter-mount faucet.
- 8" (203 mm) depth.
- 3-3/4" drain opening.
- Stainless steel with luster finish.
- Rectangular bowl.
- Single pack.
- Sink drain with strainer sold separately.

Material

- Premium 20-gauge stainless steel.

Installation

- Undermount.
- Can be installed with or without reveal.

Recommended Products/Accessories

7400 Stainless Steel Sink Drain and Strainer
K-23726 Drain treatment
K-23729 Stainless steel cleaner

Included Components

Additional Components:
91915

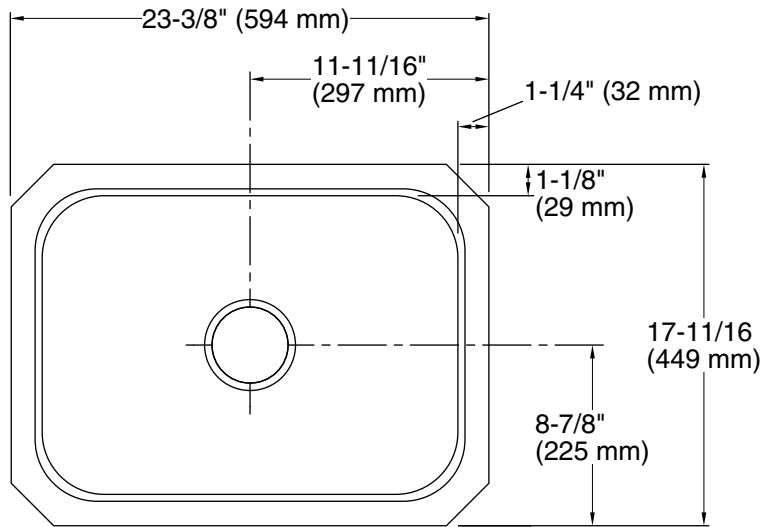


Codes/Standards

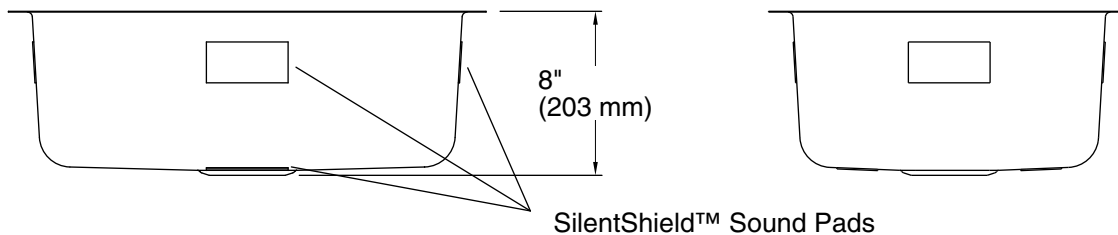
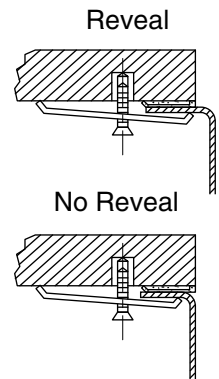
ASME A112.19.3/CSA B45.4

STERLING® Warranty - Stainless Steel Sinks

See website for detailed warranty information.



Mounting bracket assembly provides a secure installation.



Technical Information

All product dimensions are nominal.

- Bowl configuration: Single
- Installation: Under-mount
- Min. base cabinet width: 27" (686 mm)
- Bowl area (Only): Length: 20-7/8" (530 mm)
Width: 15-7/16" (392 mm)
Bowl depth: 8" (203 mm)
Water depth: 7-3/4" (197 mm)
- Drain hole: 3-1/2" (89 mm)
- Template: 1315840-7, required, included

Notes

- Install this product according to the installation instructions.
- Measure your actual product for roughing-in details.