



Carthage®

Under-Mount Kitchen Sink

11445

Features

- 8-9/16"-deep double bowls.
- 3-5/8" rear drain opening.
- Stainless steel with luster finish.
- SilentShield® sound-absorption technology offers quieter performance.

Material

- Premium 18-gauge stainless steel.

Installation

- Undermount.
- No faucet holes; requires wall-or counter-mount faucet.

Recommended Products/Accessories

7400 Sink Strainer
11861 Sink Rack
K-6139 Sponge Caddy
K-23726 Drain treatment
K-23729 Stainless steel cleaner

Included Components

Product consists of:
91915 Hardware Kit

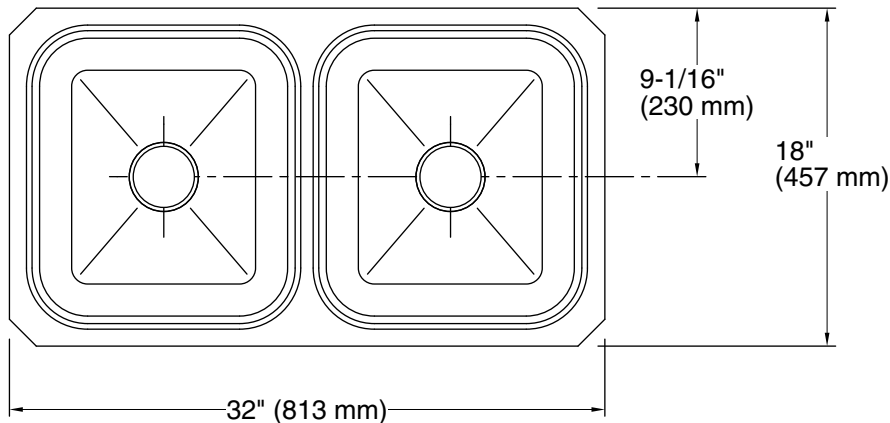


Codes/Standards

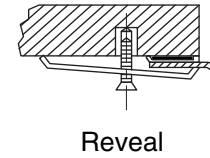
ASME A112.19.3/CSA B45.4

STERLING® Warranty - Stainless Steel Sinks

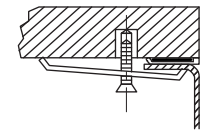
See website for detailed warranty information.



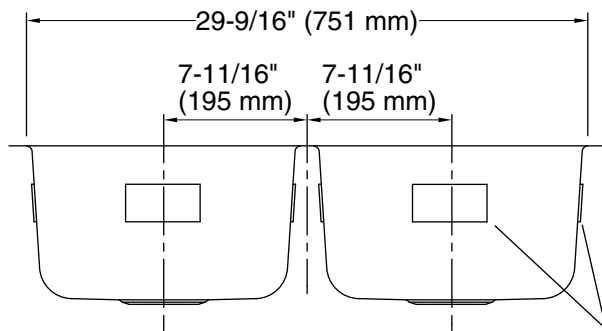
Mounting bracket assembly provides a secure installation.



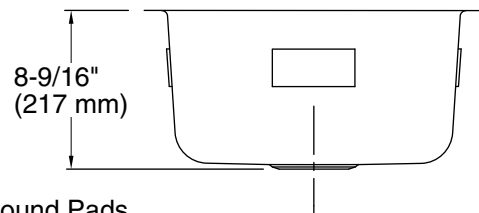
Reveal



No Reveal



SilentShield™ Sound Pads



Technical Information

All product dimensions are nominal.

- Bowl configuration: Double equal
- Installation: Under-mount
- Min. base cabinet width: 36" (914 mm)
- Bowl area (Left):
 - Length: 14-1/16" (357 mm)
 - Width: 15-3/4" (400 mm)
 - Bowl depth: 8-9/16" (218 mm)
 - Water depth: 8-1/16" (205 mm)
- Bowl area (Right):
 - Length: 14-1/16" (357 mm)
 - Width: 15-3/4" (400 mm)
 - Bowl depth: 8-9/16" (218 mm)
 - Water depth: 8-9/16" (218 mm)
- Drain hole: 3-5/8" (92 mm)
- Template: 1315846-7, required, included

Notes

- Install this product according to the installation instructions.
- Measure your actual product for roughing-in details.
- Use the supplied cut-out template to select either a hidden or exposed rim.