



McAllister®
32" undermount double-bowl kitchen sink
11444

Features

- No faucet holes; requires wall- or counter-mount faucet
- 8-9/16" (217 mm) depth
- 3-5/8" (92 mm) drain opening
- Stainless steel with luster finish

Material

- Premium 18-gauge stainless steel

Installation

- Undermount

Recommended Products/Accessories

- 7400 Stainless Steel Sink Drain and Strainer
- 11861 Sink Rack
- K-6139 Sponge Caddy
- K-23726 Drain treatment
- K-23729 Stainless steel cleaner

Included Components

- 91915 Hardware Kit

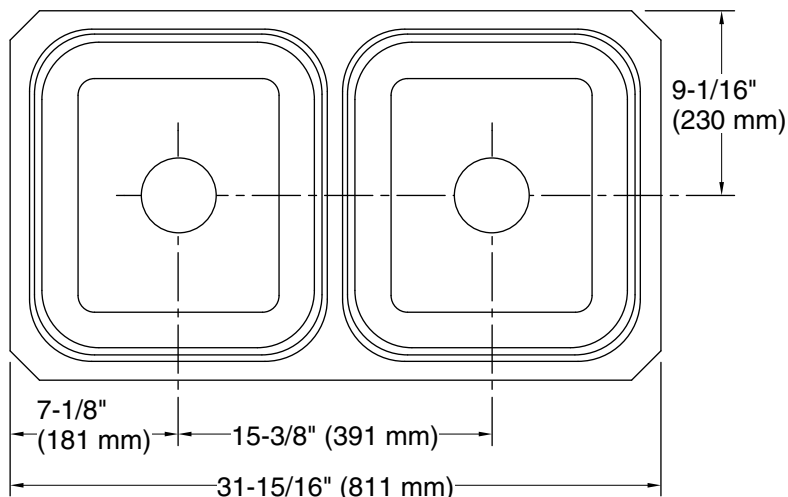


Codes/Standards

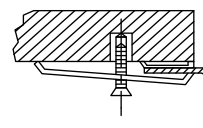
ASME A112.19.3/CSA B45.4

**STERLING® Stainless Steel Sinks
Lifetime Limited Warranty**

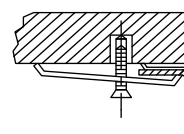
See website for detailed warranty information.



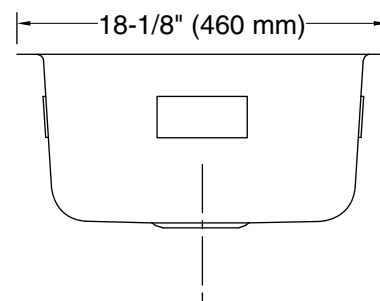
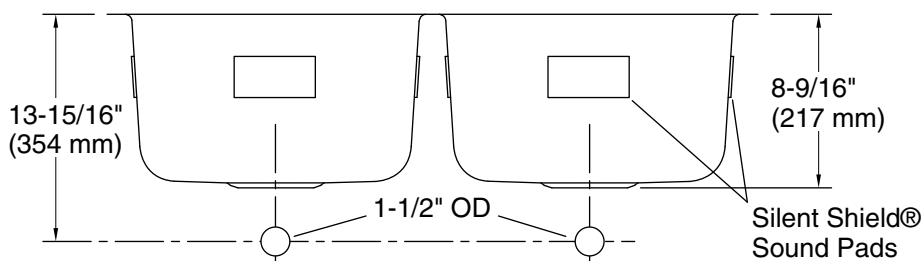
Mounting bracket assembly provides a secure installation.



Reveal



No Reveal



Technical Information

All product dimensions are nominal.

Bowl configuration: Double equal

Min. base cabinet width: 36" (914 mm)

Bowl area (Left): Length: 14-1/16" (357 mm)
Width: 15-3/4" (400 mm)
Bowl depth: 8-9/16" (218 mm)
Water depth: 8-1/16" (205 mm)

Bowl area (Right): Length: 14-1/16" (357 mm)
Width: 15-3/4" (400 mm)
Bowl depth: 8-9/16" (218 mm)
Water depth: 8-9/16" (218 mm)

Drain hole: 3-5/8" (92 mm)

Template: 1315846-7, required, included

Notes

Install this product according to the installation instructions.

Measure your actual product for roughing-in details.

Use the supplied cut-out template to select either a hidden or exposed rim.

Minimum base cabinet width: 33"-36" (33" cabinet may require cabinet modifications). Consult an installer for confirmation before proceeding.