



## Southaven®

Top-mount single-bowl kitchen sink  
**11405-3**

### Features

- Three faucet holes.
- 8" (203 mm) depth.
- 3-5/8" (92 mm) drain opening.
- Satin finish.

### Material

- Premium 20-gauge stainless steel.

### Installation

- Top-mount.

### Recommended Products/Accessories

7400 Stainless Steel Sink Drain and Strainer  
K-23726 Drain treatment  
K-23729 Stainless steel cleaner

### Included Components

Product consists of:  
1150001

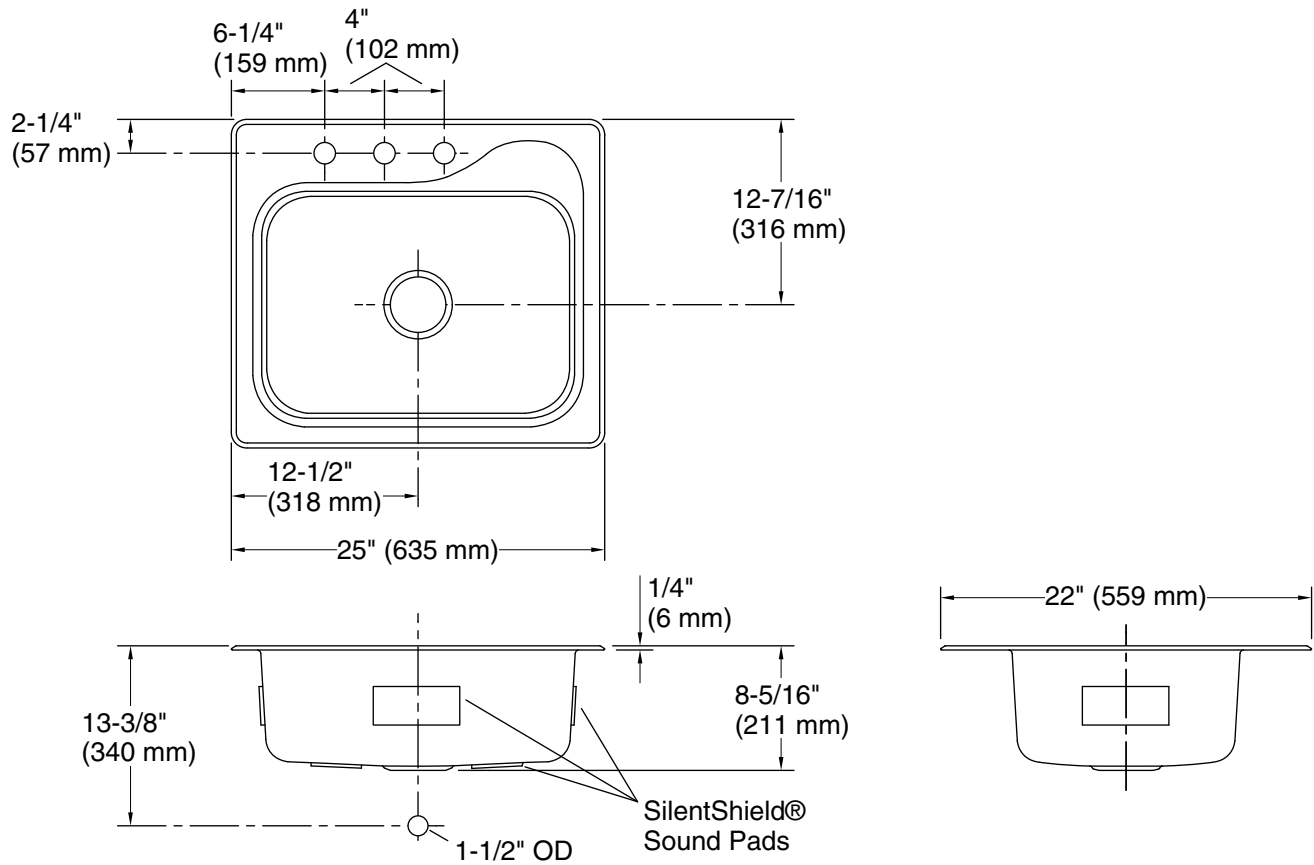


### Codes/Standards

ASME A112.19.3/CSA B45.4

### STERLING® Warranty - Stainless Steel Sinks

See website for detailed warranty information.



### Technical Information

All product dimensions are nominal.

Bowl configuration:	Single
Installation:	Top-mount
Cutout:	Top-mount, 24-1/4" x 21-1/4" (616 mm x 540 mm) with 1/2" (13 mm) radius corners
Bowl area (Only):	Length: 21" (533 mm) Width: 15-1/4" (387 mm) Bowl depth: 8" (203 mm) Water depth: 8" (203 mm)
Number of deck holes:	3
Faucet hole(s):	1-7/16" (37 mm)
Drain hole:	3-5/8" (92 mm)

### Notes

Install this product according to the installation instructions.

Measure your actual product for roughing-in details.