



# Southaven®

## Top-mount Kitchen Sink

### 11403-3

#### Features

- Top-mount.
- Three faucet holes.
- 6-1/2"-deep single bowl.
- 3-5/8" drain opening.
- Stainless steel with durable satin finish.
- SilentShield® sound-absorption technology offers quieter performance.

#### Material

- Premium 20-gauge stainless steel.

#### Recommended Products/Accessories

K-23726 Drain treatment

K-23729 Stainless steel cleaner

#### Optional Products/Accessories

7400 Sink Strainer

#### Included Components

Product consists of:

1150001 Installation Clips



ADA

#### Codes/Standards

ASME A112.19.3/CSA B45.4

ADA

ICC/ANSI A117.1

#### STERLING® Warranty - Stainless Steel Sinks

See website for detailed warranty information.

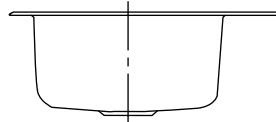
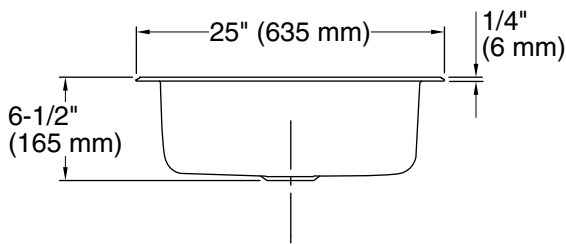
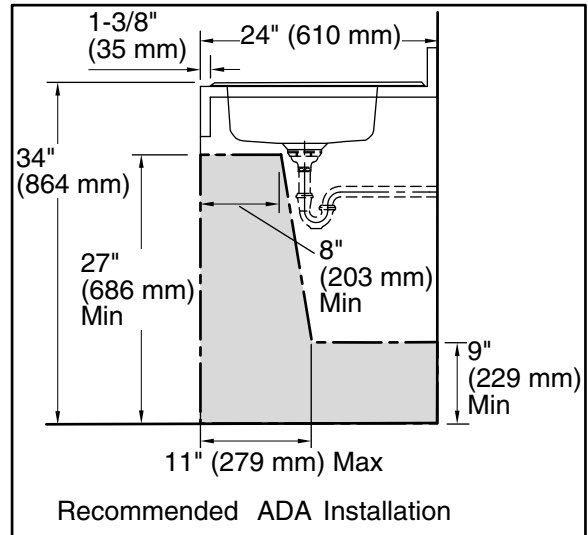
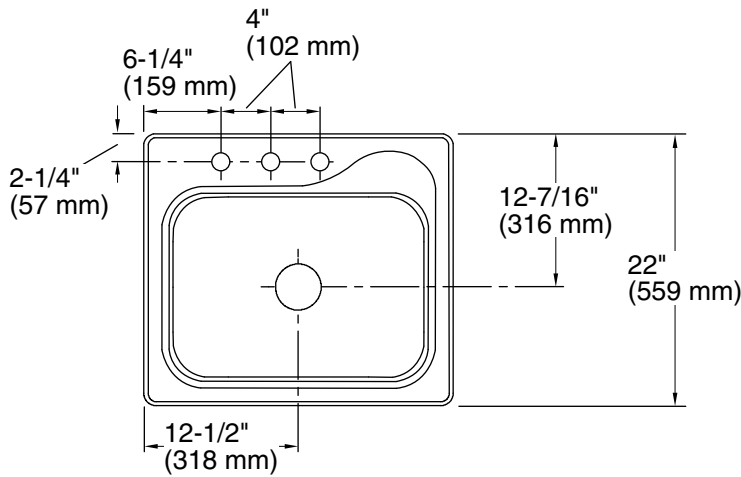
---

1-800-STERLING (1-800-783-7546)

Kohler Co. reserves the right to make revisions without notice to product specifications.

For the most current Specification Sheet, go to [www.sterlingplumbing.com](http://www.sterlingplumbing.com).

3-2-2020 06:04 - US



**Technical Information**

All product dimensions are nominal.

- Bowl configuration: Single
- Installation: Top-mount
- Cutout: Top-mount, 24-1/2" x 21-1/2" (622 mm x 546 mm) with 3/4" (19 mm) radius corners
- Min. base cabinet width: 27" (686 mm)
- Bowl area (Only): Length: 21" (533 mm)  
Width: 15-1/4" (387 mm)  
Bowl depth: 6-1/2" (165 mm)  
Water depth: 6-1/2" (165 mm)
- Number of deck holes: 3
- Faucet hole(s): 1-7/16" (37 mm)
- Drain hole: 3-5/8" (92 mm)
- Template: 1032928-7, not required, not included

**Notes**

- Install this product according to the installation instructions.
- Measure your actual product for roughing-in details.
- ADA compliant when installed to the specific requirements of these regulations.