



# Southaven®

Top-mount Kitchen Sink  
**11401-3**

## Features

- Top-mount.
- Three faucet holes.
- 7"-deep double bowls.
- 3-5/8" drain opening.
- Stainless steel with durable satin finish.
- SilentShield® sound-absorption technology offers quieter performance.

## Material

- Premium 20-gauge stainless steel.

## Recommended Products/Accessories

- 11861 Sink Rack
- 7400 Sink Strainer
- K-6139 Sponge Caddy
- K-23726 Drain treatment
- K-23729 Stainless steel cleaner

## Included Components

- Product consists of:
- 1150001 Installation Clips

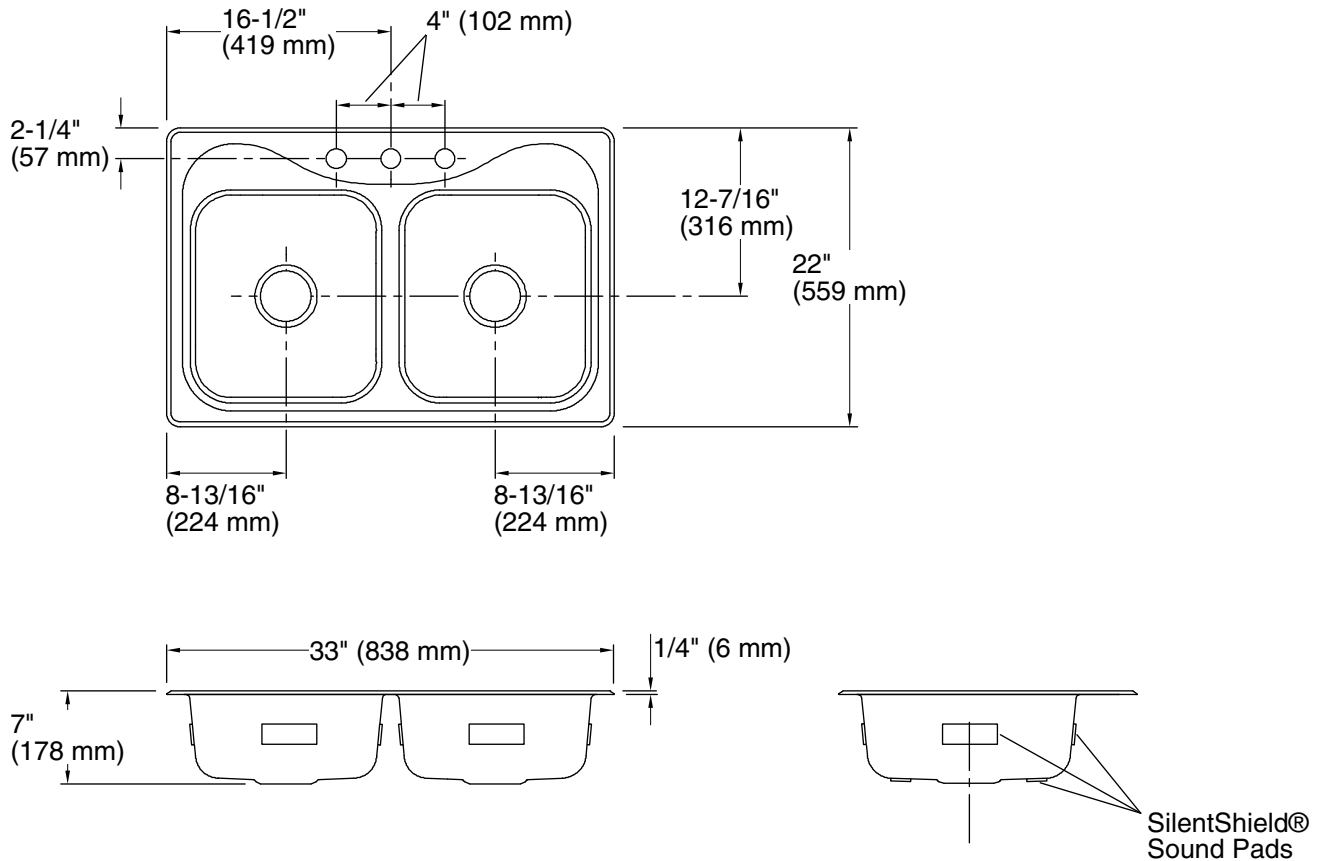


## Codes/Standards

ASME A112.19.3/CSA B45.4

## STERLING® Warranty - Stainless Steel Sinks

See website for detailed warranty information.



**Technical Information**

- All product dimensions are nominal.
- Bowl configuration: Double equal
- Installation: Top-mount
- Cutout: Top-mount, 32-1/2" x 21-1/2" (826 mm x 546 mm) with 1/2" (13 mm) radius corners
- Min. base cabinet width: 36" (914 mm)
- Bowl area (Left): Length: 14" (356 mm)  
Width: 15-1/8" (384 mm)  
Bowl depth: 7" (178 mm)  
Water depth: 7" (178 mm)
- Bowl area (Right): Length: 14" (356 mm)  
Width: 15-1/8" (384 mm)  
Bowl depth: 7" (178 mm)  
Water depth: 7" (178 mm)
- Number of deck holes: 3
- Faucet hole(s): 1-7/16" (37 mm)
- Drain hole: 3-5/8" (92 mm)
- Template: 1032929-7, not required, not included

**Notes**

- Install this product according to the installation instructions.
- Measure your actual product for roughing-in details.