



Southaven®

Top-mount Kitchen Sink

11400-4

Features

- Four faucet holes.
- 6-1/2"-deep double bowls.
- 3-5/8" (92 mm) drain opening.
- Stainless steel with durable satin finish.
- SilentShield® sound-absorption technology offers quieter performance.

Material

- Premium 20-gauge stainless steel.

Installation

- Top-mount.

Recommended Products/Accessories

7400 Sink Strainer
11861 Sink Rack
K-6139 Sponge Caddy
K-23726 Drain treatment
K-23729 Stainless steel cleaner

Included Components

Product consists of:
1150001 Installation Clips



ADA

Codes/Standards

ASME A112.19.3/CSA B45.4
ADA
ICC/ANSI A117.1

STERLING® Warranty - Stainless Steel Sinks

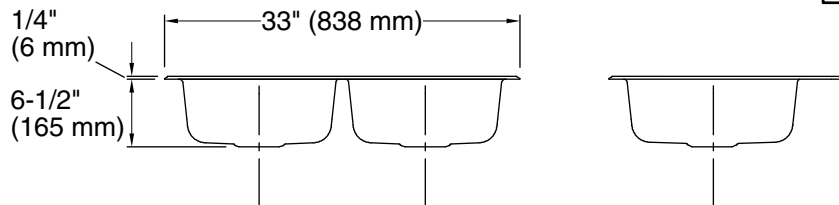
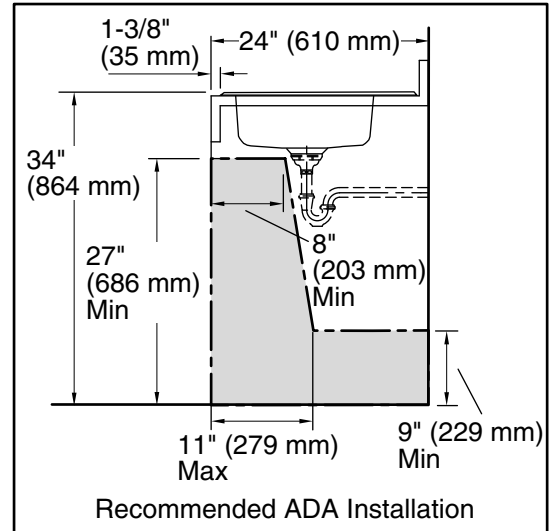
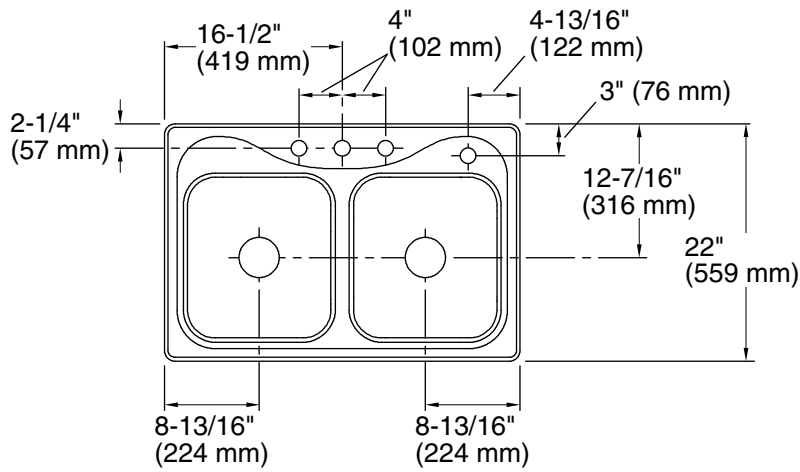
See website for detailed warranty information.

1-800-STERLING (1-800-783-7546)

Kohler Co. reserves the right to make revisions without notice to product specifications.

For the most current Specification Sheet, go to www.sterlingplumbing.com.

8-20-2020 13:18 - US



Technical Information

All product dimensions are nominal.

- Bowl configuration: Double equal
- Installation: Top-mount
- Cutout: Top-mount, 32-1/2" x 21-1/2" (826 mm x 546 mm) with 1/2" (13 mm) radius corners
- Min. base cabinet width: 36" (914 mm)
- Bowl area (Left):
 Length: 14" (356 mm)
 Width: 15-1/8" (384 mm)
 Bowl depth: 6-1/2" (165 mm)
 Water depth: 6-1/2" (165 mm)
- Bowl area (Right):
 Length: 14" (356 mm)
 Width: 15-1/8" (384 mm)
 Bowl depth: 6-1/2" (165 mm)
 Water depth: 6-1/2" (165 mm)
- Number of deck holes: 4
- Faucet hole spacing: 4" (102 mm)
- Faucet hole(s): 1-7/16" (37 mm)
- Drain hole: 3-5/8" (92 mm)
- Template: 1032929-7, not required, not included

Notes

- Install this product according to the installation instructions.
- Measure your actual product for roughing-in details.
- ADA compliant when installed to the specific requirements of these regulations.