



Southaven®

Top-mount Kitchen Sink

11400-3

Features

- Top-mount.
- Three faucet holes.
- 6-1/2"-deep double bowls.
- 3-5/8" drain opening.
- Stainless steel with durable satin finish.
- SilentShield® sound-absorption technology offers quieter performance.

Material

- Premium 20-gauge stainless steel.

Recommended Products/Accessories

- 7400 Sink Strainer
- 11861 Sink Rack
- K-6139 Sponge Caddy
- K-23726 Drain treatment
- K-23729 Stainless steel cleaner

Included Components

- Product consists of:
- 1150001 Installation Clips



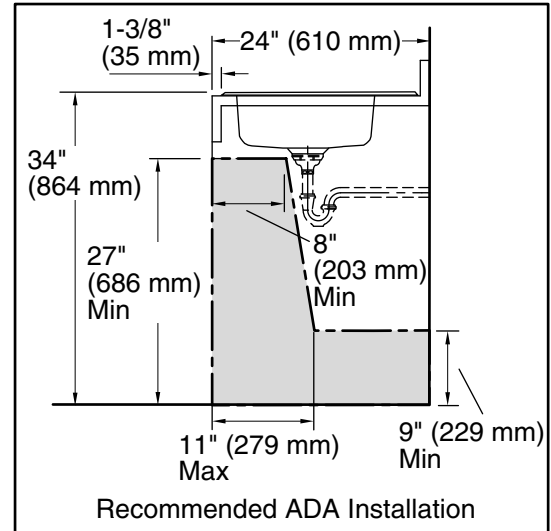
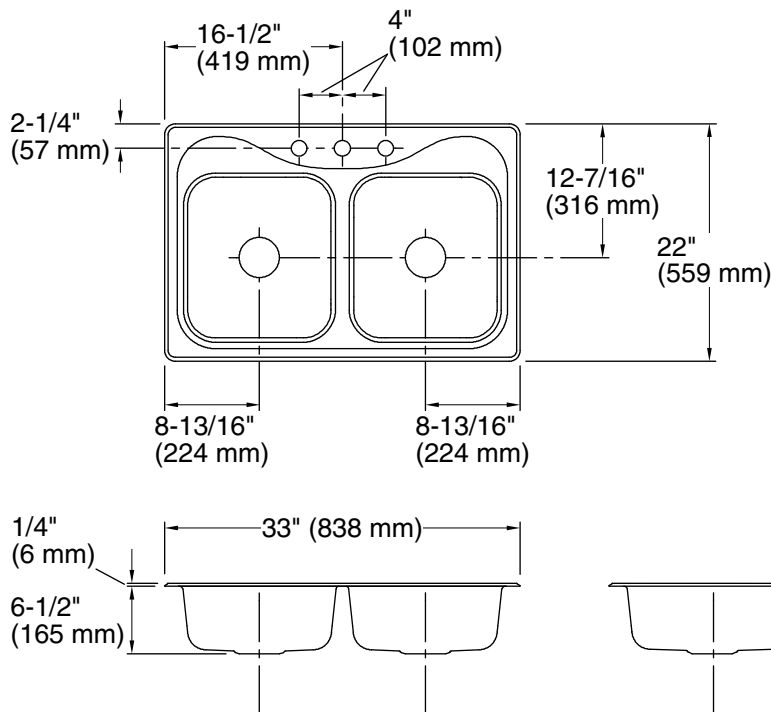
ADA

Codes/Standards

ASME A112.19.3/CSA B45.4
ADA
ICC/ANSI A117.1

STERLING® Warranty - Stainless Steel Sinks

See website for detailed warranty information.



Technical Information

- All product dimensions are nominal.
- Bowl configuration: Double equal
- Installation: Top-mount
- Cutout: Top-mount, 32-1/2" x 21-1/2" (826 mm x 546 mm) with 1/2" (13 mm) radius corners
- Min. base cabinet width: 36" (914 mm)
- Bowl area (Left): Length: 14" (356 mm)
Width: 15-1/8" (384 mm)
Bowl depth: 6-1/2" (165 mm)
Water depth: 6-1/2" (165 mm)
- Bowl area (Right): Length: 14" (356 mm)
Width: 15-1/8" (384 mm)
Bowl depth: 6-1/2" (165 mm)
Water depth: 6-1/2" (165 mm)
- Number of deck holes: 3
- Faucet hole(s): 1-7/16" (37 mm)
- Drain hole: 3-5/8" (92 mm)
- Template: 1032929-7, not required, not included

Notes

- Install this product according to the installation instructions.
- Measure your actual product for roughing-in details.
- ADA compliant when installed to the specific requirements of these regulations.