

STERLING®

A KOHLER COMPANY

ENSEMBLE™

Features

- Compression molded from our exclusive solid Vikrell® material
- Pump with air switch and grounding-type plug-in cord
- Durable high-gloss finish
- 8 Jets
- Integral apron with removable access panel
- 10-year consumer/3-year commercial limited warranty
- 18" (45.7 cm) whirlpool bath depth (floor to top of threshold)
- 60-1/4" (153 cm) x 33-1/4" (84.5 cm) x 75-1/4" (191.1 cm) complete unit rough-in dimensions to include flange
- 60" (152.4 cm) x 32" (81.3 cm) x 74" (188 cm) complete unit finished dimensions

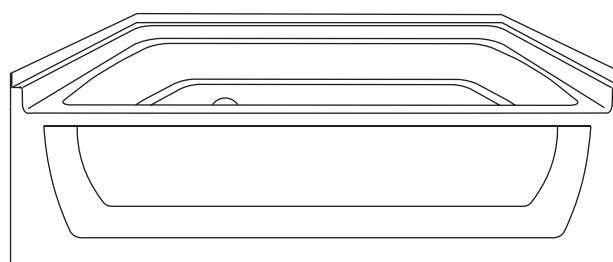
32" (81.3 cm) WHIRLPOOL BATH

76121110

ALSO 76121120



MATERIAL STRENGTH.
PROVEN PERFORMANCE.™



Codes/Standards Applicable

Specified model meets or exceeds the following:

- ANSI Z124.1.2
- ASME A112.19.7M
- ASTM E162
- ASTM E662
- UL 1795
- HUD, UM Bulletin 73A

Colors/Finishes

- 0: White
- Other: Refer to Price Book for additional colors/finishes

Specified Model

Model	Description	Colors/Finishes	
76121110	32" (81.3 cm) whirlpool bath , left drain	<input type="checkbox"/> 0	<input type="checkbox"/> Other _____
76121120	32" (81.3 cm) whirlpool bath , right drain	<input type="checkbox"/> 0	<input type="checkbox"/> Other _____

ENSEMBLE™

Technical Information

Fixture*:	
Basin area:	
Bathing well	42" (106.7 cm) x 20" (50.8 cm)
Top area	54" (137.2 cm) x 26" (66 cm)
To overflow:	
Water depth	13-3/4" (34.9 cm)
Capacity	55 gal (208.2 L)
* Approximate measurements for comparison only.	

Pump:	V	Hz	A
1-speed	120	60	7

Model	door maximum width	door maximum height
76121110	*57-11/16"	*NA
76121120	(146.5 cm)	
* Varies with alternative walls.		

Required Electrical Service

Dedicated circuit required, protected with Class A Ground-Fault Circuit-Interrupter (GFCI):	
Pump/Control	120 V, 15 A, 60 Hz

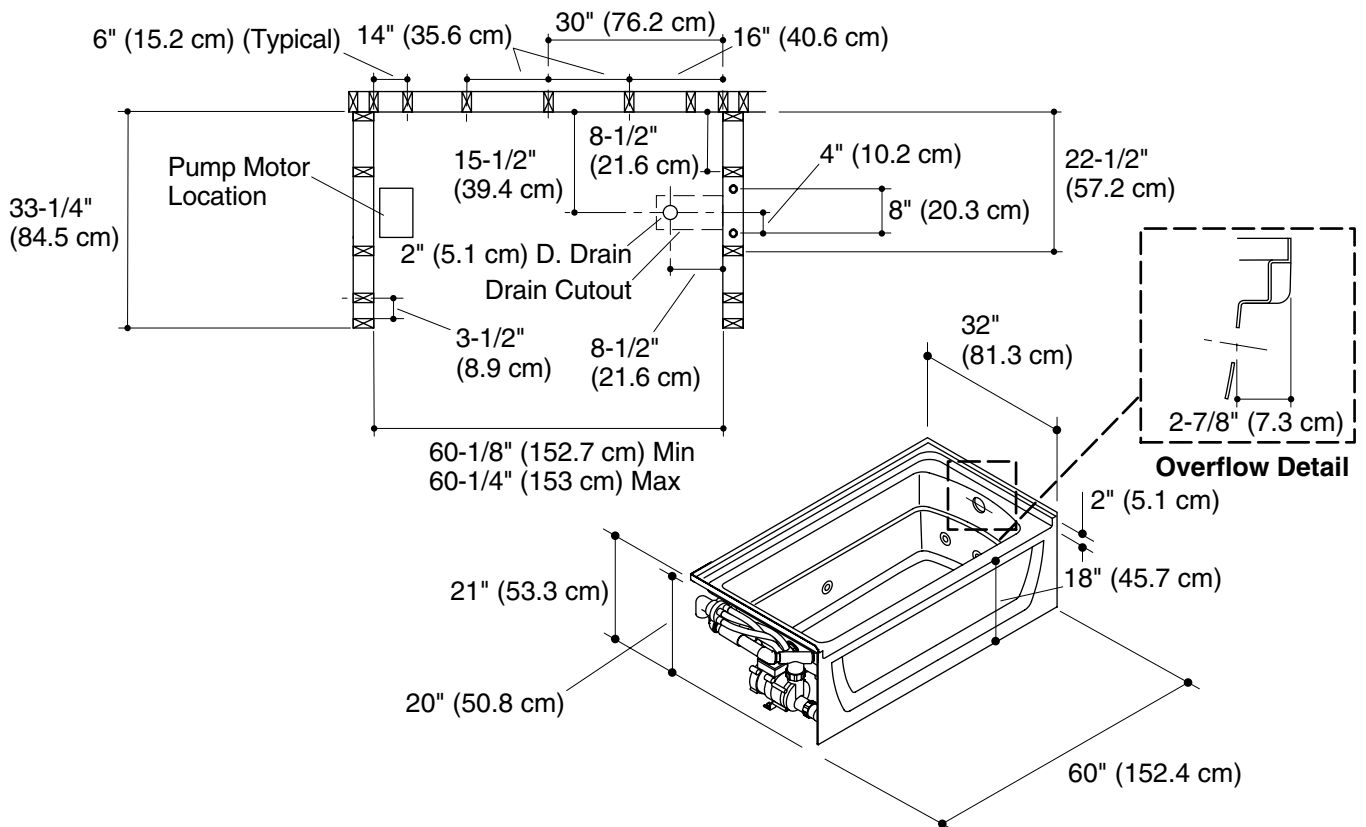
Installation Notes

Install this product according to the installation guide.

Pump is supplied with a grounding-type plug-in cord. Locate the outlet behind the whirlpool, and within 24" (61 cm) of the pump.

Do not disassemble the pump or piping as this could void the warranty.

Size the drain cutout to fit the drain assembly that will be used.



Product Diagram