

# MIRA SILVER

Part Number: EV, Chrome: 1.1628.001  
 Part Number: BIV, Chrome: 1.1628.002  
 Part Number: BIR, Chrome: 1.1628.003



## THE PERFECT FIT NO MATTER WHAT THE JOB

### HIGH PERFORMANCE

Magni-Flo™ gives up to 3x more flow

### TEMPERATURE CONTROL

Thermostatic temperature stability

### EASY TO FIT

Quickly and easily fits onto reversed inlet supplies

### EASY TO SERVICE

Large, long-life filters and replaceable cartridge

### FOR YOUR CUSTOMER

One control for on/off and temperature

Approved to TMV2 – for the ultimate in comfortable showering

Maximum temperature stop – enhances safety

4 spray 9 cm showerhead with rub clean nozzles (except BIR which has one single spray)



## TECH DETAILS

### TEMPERATURE CONTROL

Control type: Thermostatic

### INSTALLATION

Water entry points: Rising, falling or rear

Inlet connections: 15 mm compression (EV, BIV & BIR)

Outlet connections: ½" BSP Male Flat Face (EV); 15 mm compression (BIV & BIR)

Reversed inlets supported: Yes

### SUPPLY CONDITIONS (hot and cold supplies to be at nominally equal pressure)

Cold water range: Up to 25°C

Hot water range: 50°C-85°C (operating); 55°C-65°C (recommended)

Minimum maintained pressure: 0.1 bar (1 metre head)

Maximum maintained pressure: 5.0 bar (50 metre head)

Maximum static pressure: 10.0 bar (100 metre head)

### PERFORMANCE

Flow rate (at handset): 13 l/min at 0.5 bar

Temperature stability: ± 2°C

### SAFETY FEATURES

Automatic shutdown: Shutdown to seepage in 2 seconds

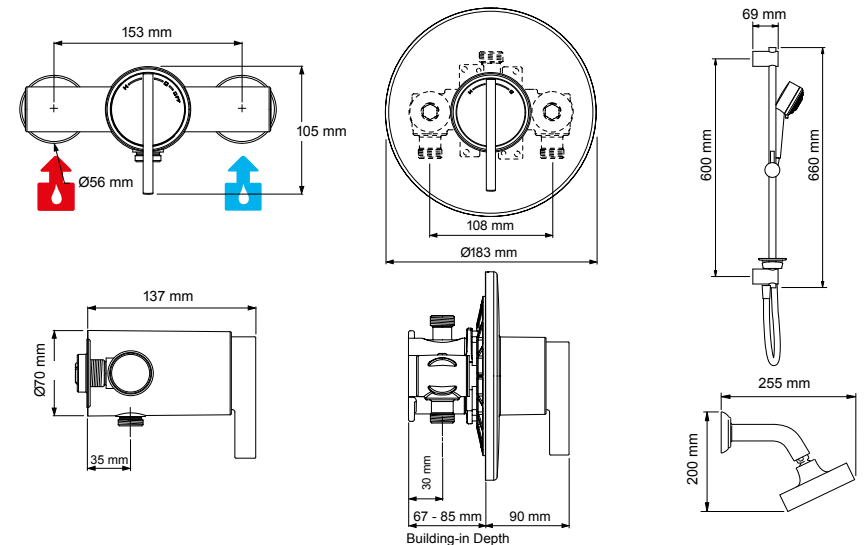
Factory set to safe max temp: Factory set to 43°C

Adjustable maximum temperature for on-site conditions

### ACCESSORIES

Wide range of accessories available at [www.mirashowers-store.co.uk](http://www.mirashowers-store.co.uk)

## TECH DRAWINGS



See Magni-Flo™ in action by scanning this QR code

