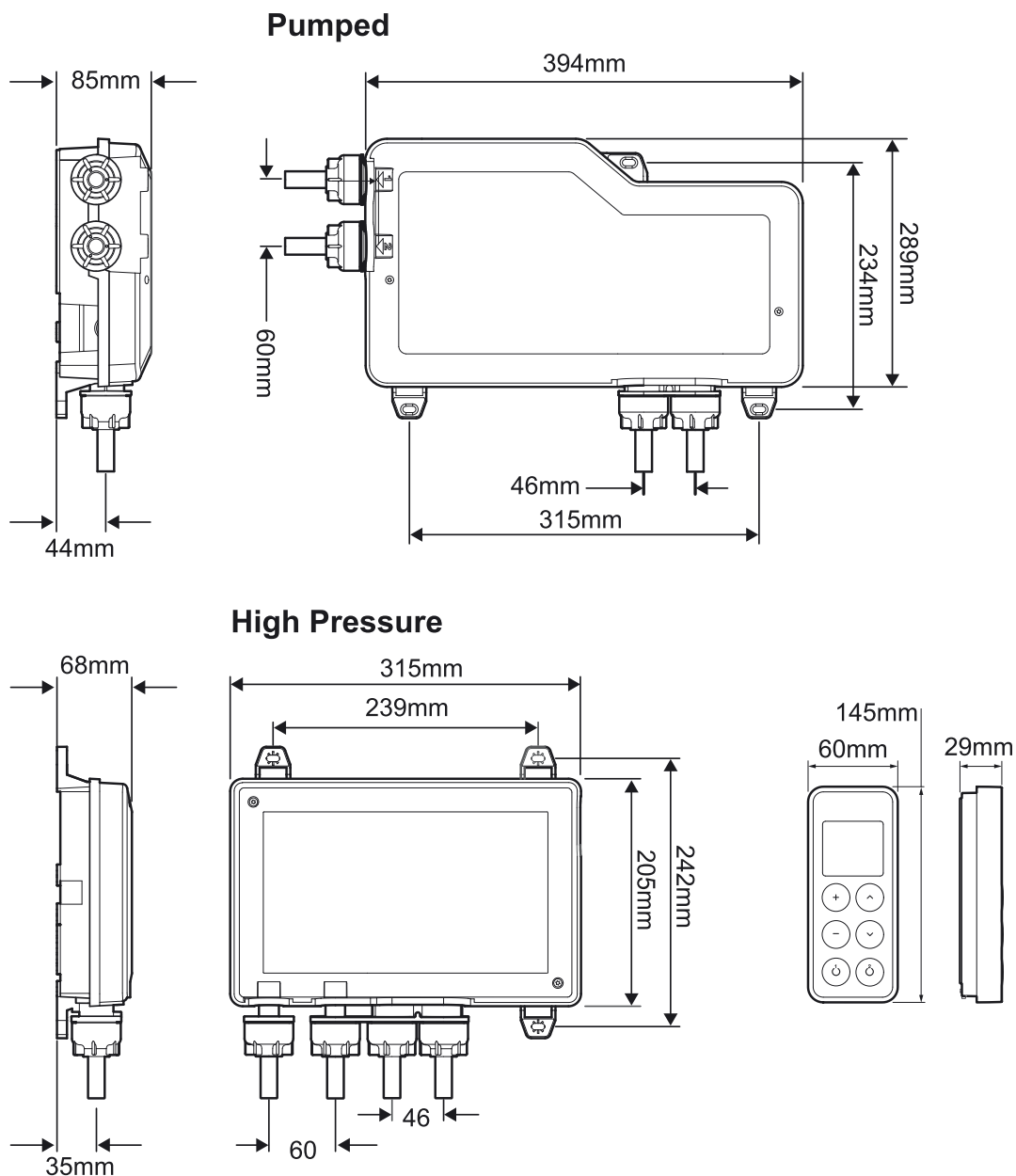


Mira Vision Dual Valve / Controller

High pressure - 1.1797.105

Pumped - 1.1797.106



To download other resources, and for more information and advice on our products just visit:
www.mirashowers.co.uk