

# Mira Vision Dual High Pressure



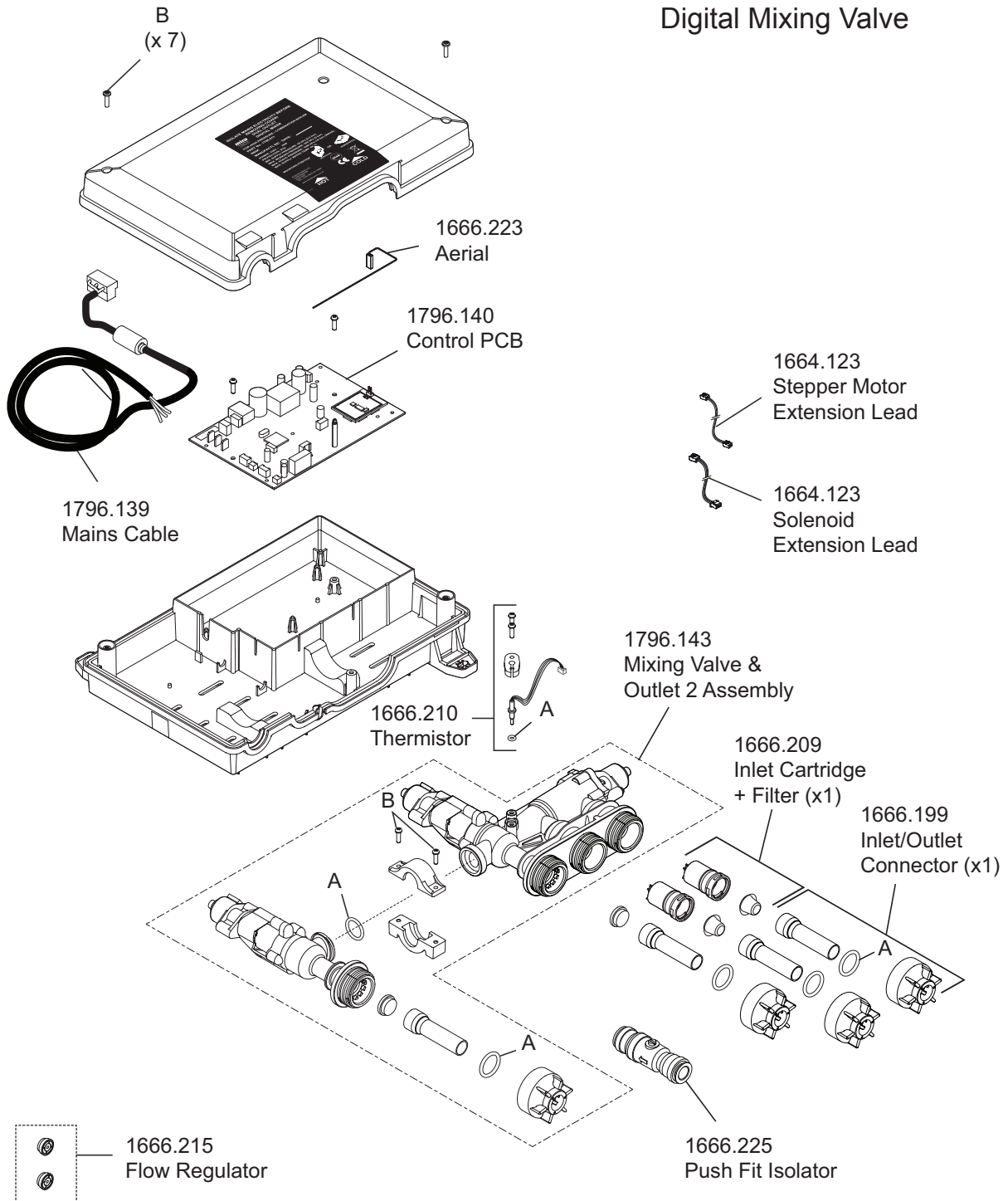
(2013 - current N850)

Ceiling Fed - 1.1797.101

Rear Fed - 1.1797.103

Valve & Controller Only - 1.1797.105

## Digital Mixing Valve



1666.212 Seal Pack - Components Identified 'A'  
 1666.213 Screw Pack - Components Identified 'B'

# Mira Vision Dual High Pressure



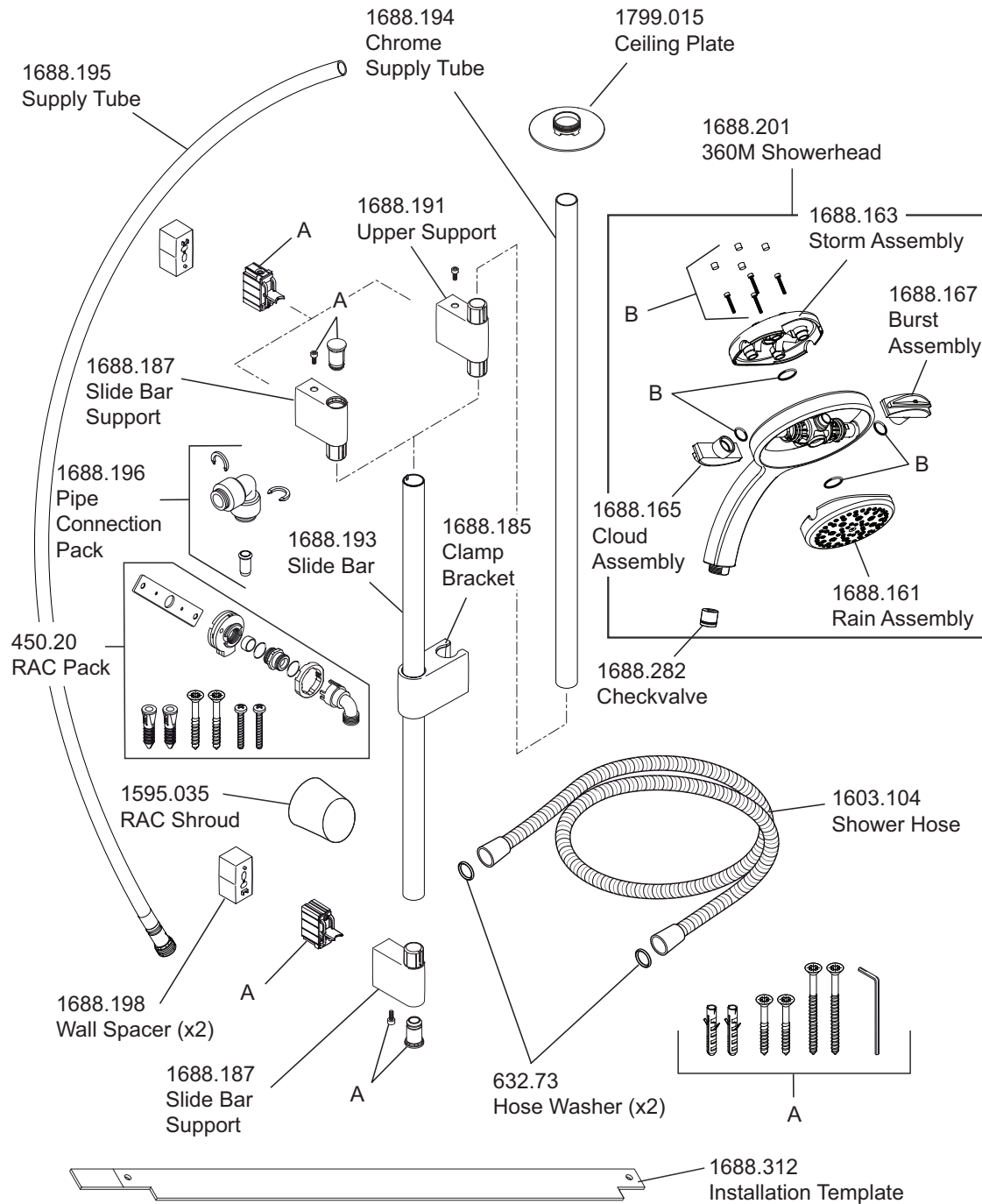
(2013 - current N850)

Ceiling Fed - 1.1797.101

Rear Fed - 1.1797.103

Valve & Controller Only - 1.1797.105

## Shower Fittings - Showerhead



1688.184 Seal and Screw Pack - Components Identified 'B'.

1688.190 Classic Fittings Component Pack - Components identified 'A'.

Mira Vision shower fittings on the following page



# Mira Vision Dual High Pressure



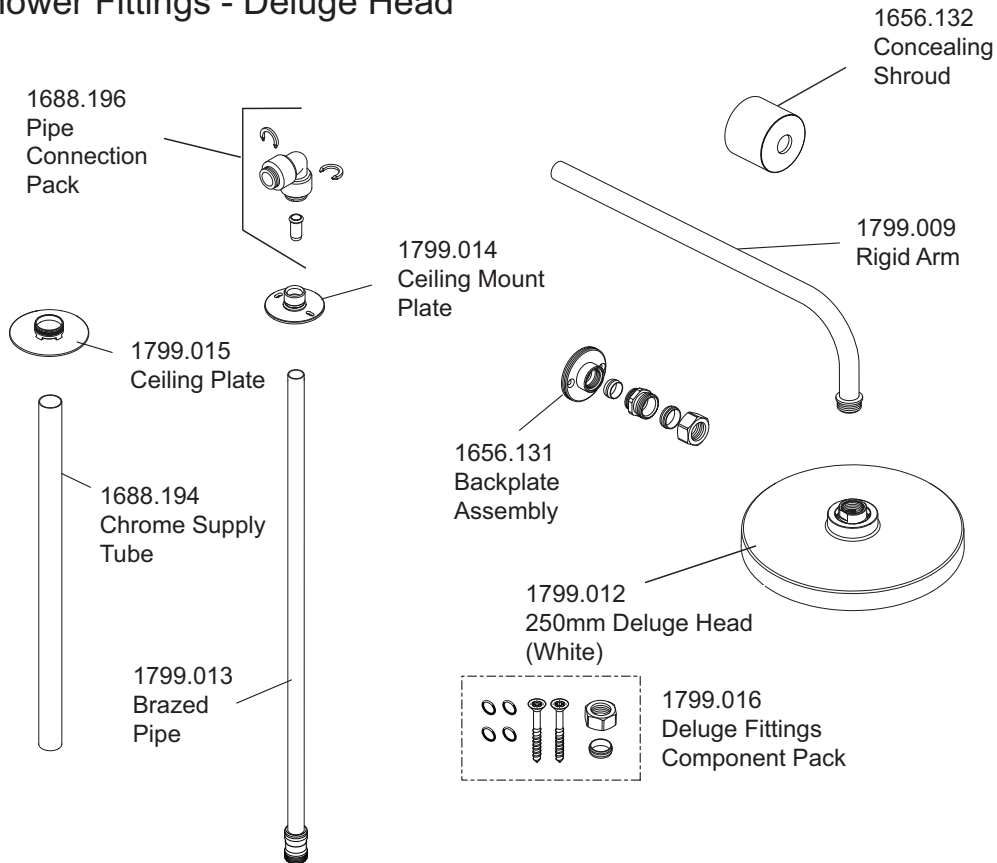
(2013 - current N850)

Ceiling Fed - 1.1797.101

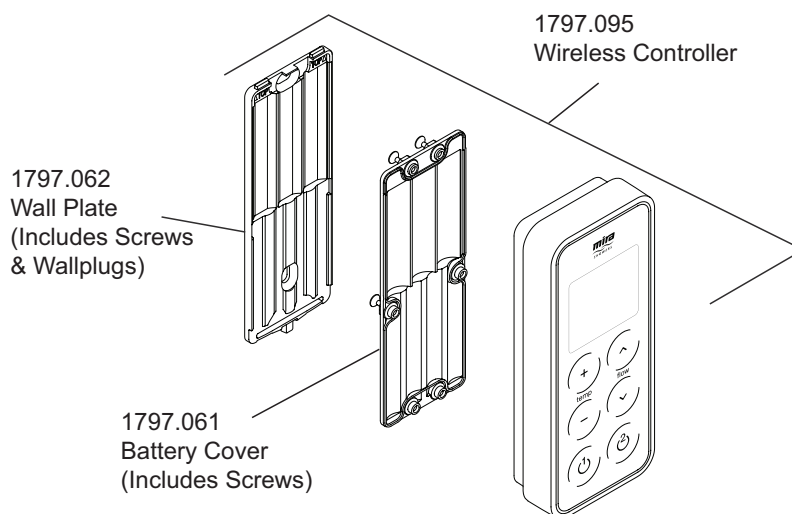
Rear Fed - 1.1797.103

Valve & Controller Only - 1.1797.105

## Shower Fittings - Deluge Head



## Digital Mixer - User Interface



Mira digital showers are provided with a five year warranty and spare parts are available free of charge during that period with a valid proof of purchase. For showers outside of the warranty period, spare parts are available to purchase direct, alternatively we have Mira technicians who can repair your shower for you. For further information visit [www.mirashowers.co.uk](http://www.mirashowers.co.uk) or to check availability of spare parts for this shower or enquire about our repair service please contact our customer service on **0844 571 5000**.

