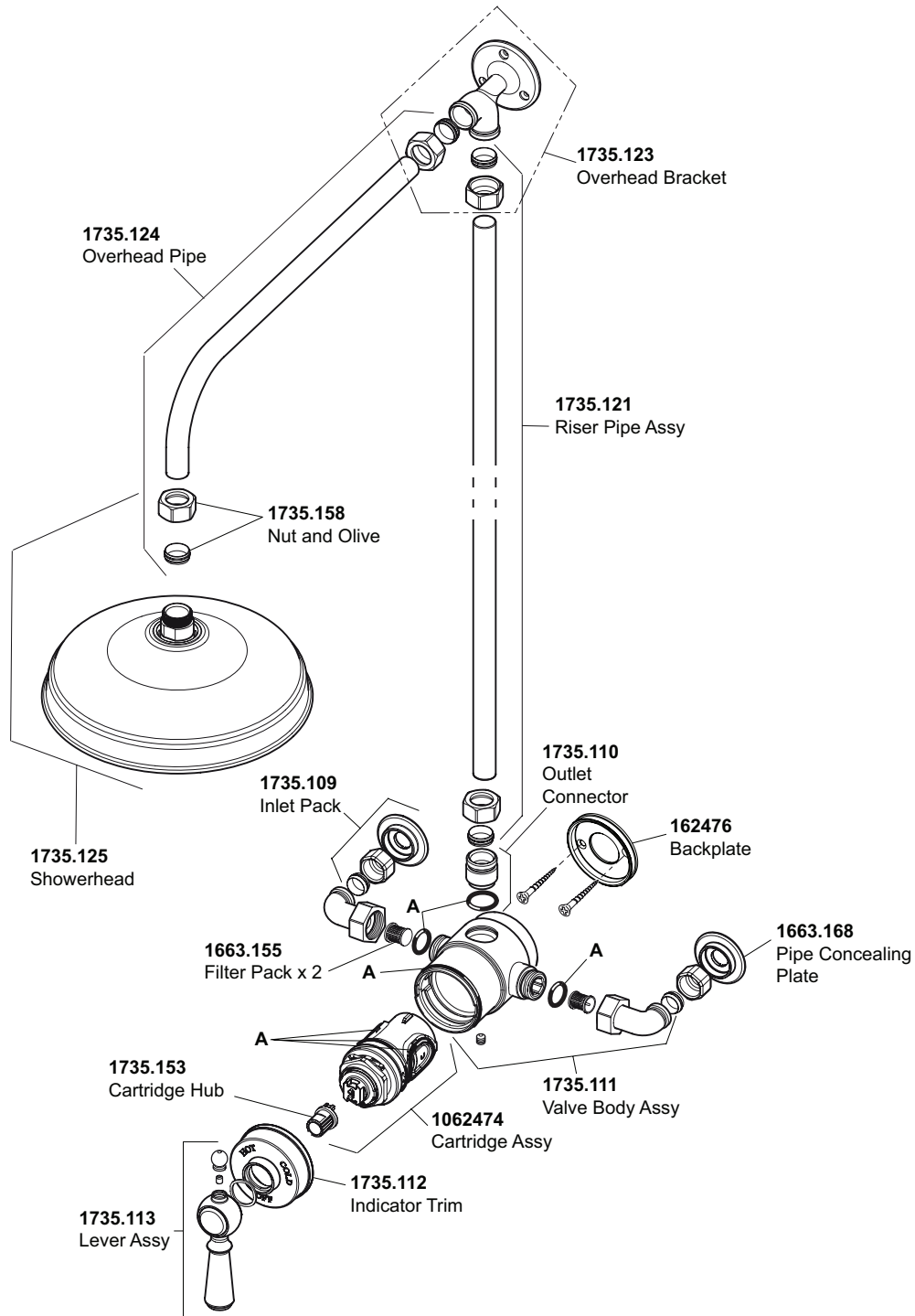


Mira Realm ER

(2010 - Current B93i)

1.1735.001



- 1735.114 Valve Seal Pack - components identified 'D'
- 1735.128 Screw Pack - not identified
- 1735.129 Component Pack - not identified (includes Flow Regulator and Adaptor, Hose Sleeve and Wall Fixing Screws)

Mira mixer showers are provided with a five year warranty and spare parts are available free of charge during that period with a valid proof of purchase. For showers outside of the warranty period, spare parts are available to purchase direct, alternatively we have Mira technicians who can repair your shower for you. For further information visit www.mirashowers.co.uk or to check availability of spare parts for this shower or enquire about our repair service please contact our customer service on **0844 571 5000**.

