

Mira Mode Dual Shower

Digital Mixer

Smart, simple
showering.



SUITABLE FOR ALL SYSTEMS



5 YEAR WARRANTY

Product Information

Description	Colour	Product No.
Mira Mode Dual Shower, Rear Fed (High Pressure/Combi)	Chrome	1.1874.005
Mira Mode Dual Shower, Rear Fed (Pumped for Gravity)	Chrome	1.1874.006
Mira Mode Dual Shower, Ceiling Fed (High Pressure/Combi)	Chrome	1.1874.009
Mira Mode Dual Shower, Ceiling Fed (Pumped for Gravity)	Chrome	1.1874.010
Mira Mode Dual Shower, Valve Only (High Pressure/Combi)	Chrome	1.1874.015
Mira Mode Dual Shower, Valve Only (Pumped for Gravity)	Chrome	1.1874.016

Features & Benefits

Temperature control

- Thermostatic temperature stability with digital intelligence
- Indicator light signals when shower has reached desired temperature
- Maximum temperature setting for increased safety

Easy to fit & maintain

- Replaceable checkvalve and filters
- Supplied with push fit isolators

For your customer

- Flow rate: up to 16 l/min at 1 bar (High Pressure) and at 0.1 bar (Pumped)
- Rotary temperature control dial
- Personalise showering settings using the Mira Mode app
- 200mm deluge head and Mira Switch showerhead (except valve only models)



MIRA MODE DUAL
REAR FED



MIRA MODE DUAL
CEILING FED

Product Specification

Tech Details

Installation Units & Fittings

Water Entry Points - Back, Rear Fed; Top, Ceiling Fed

Inlet Connections: 15mm Push Fit (supplied) or 15mm compression

Data Connection to Digital Mixer: Low Voltage Data Cable

Digital Mixer

Inlet Connections: 15mm Push Fit (supplied) or 15mm compression

Outlet connection: 15mm push fit (supplied)

Data Connection to control unit and fittings: Low Voltage Data Cable

Supply voltage: 230v +10%

Supply rating: 3 amp

Supply Conditions

Minimum maintained pressure:

Pumped: 0.01 bar (10cm head); High Pressure: 0.5 bar (5 metre head)

Maximum maintained pressure:

Pumped: 1.0 bar (10 metre head); High Pressure: 5.0 bar (50 metre head)

Maximum static pressure:

Pumped: 1.0 bar (10 metre head); High Pressure: 10.0 bar (100 metre head)

Performance

Flow rate: up to 16 l/min at 0.1 bar (Pumped); 1 bar (High Pressure)

Temperature stability: $\pm 1^\circ\text{C}$

Safety Features

Phased shutdown: Yes

Factory set to safe max temp: Factory set at 45°C

Approvals

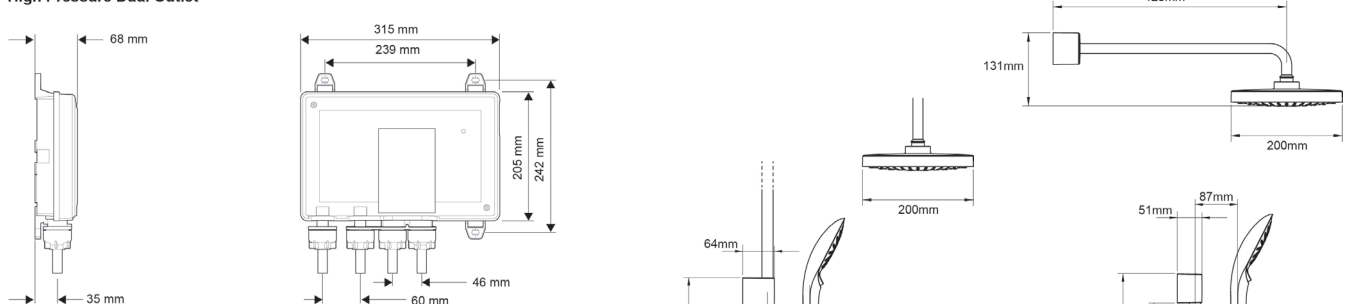
WRAS approved

KIWA UK approved product



Dimensions

High Pressure Dual Outlet



Low Pressure Dual Outlet

