

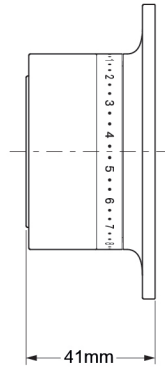
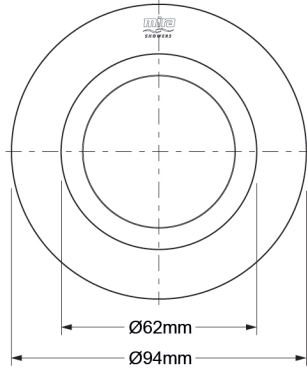
# Mira Mode With Bath Fill Only

High Pressure/Combi Boiler - 1.1874.001

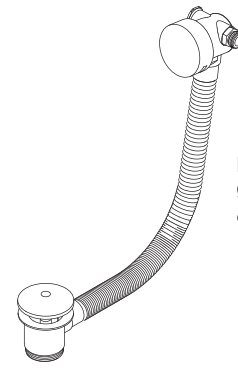
Pumped For Gravity - 1.1874.002



## Digital Controller

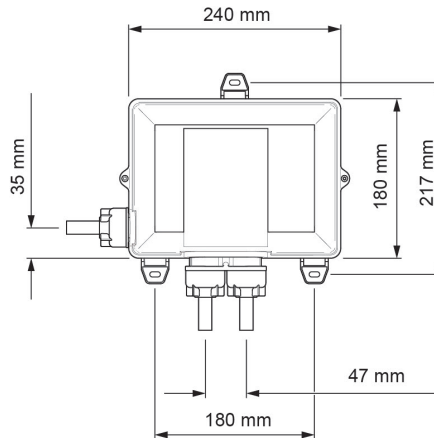
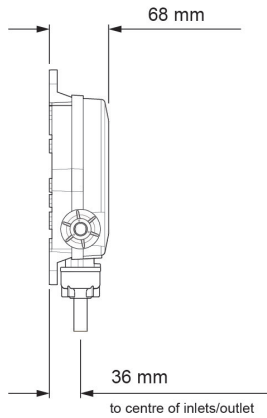


## Bath Fill/Overflow

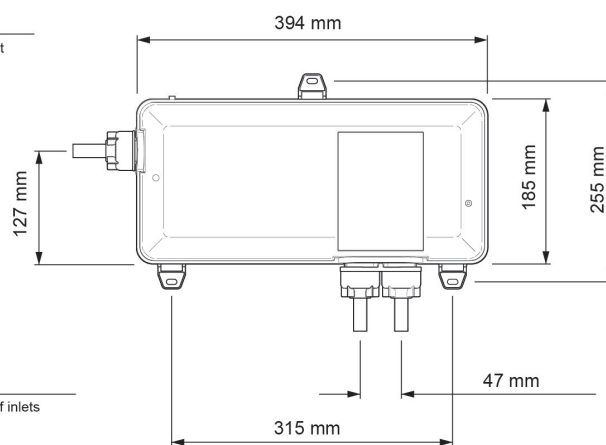
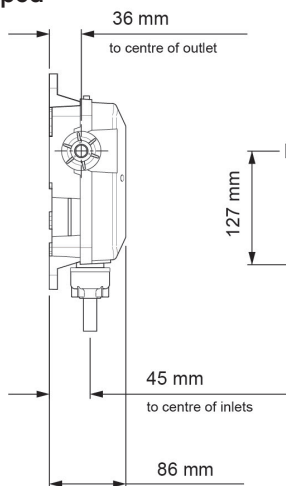


Bath Fill/Overflow:  
Ø70mm x 25mm  
depth when fitted

## High Pressure



## Pumped



To download other resources, and for more information and advice on our products just visit:  
[www.mirashowers.co.uk](http://www.mirashowers.co.uk)