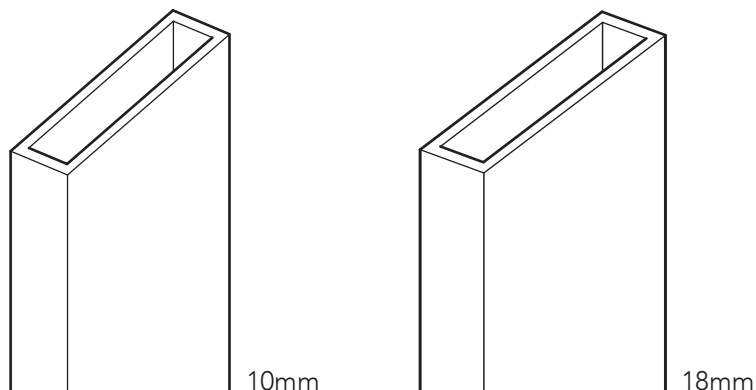


Mira Leap filler sections

Mira Leap filler sections can be used to extend the width of an enclosure door or side panel by up to 18mm.



Dimensions

All sizes are in mm

Mira Leap filler section	Size	Glass	Frame adjustment (Alcove)	Frame adjustment (Corner)	Flight tray compatibility	Flight Low tray compatibility
1.1857.243	10	n/a	n/a	n/a	n/a	n/a
1.1857.242	18	n/a	n/a	n/a	n/a	n/a

To download other resources, and for more information and advice on our products just visit:
www.mirashowers.co.uk