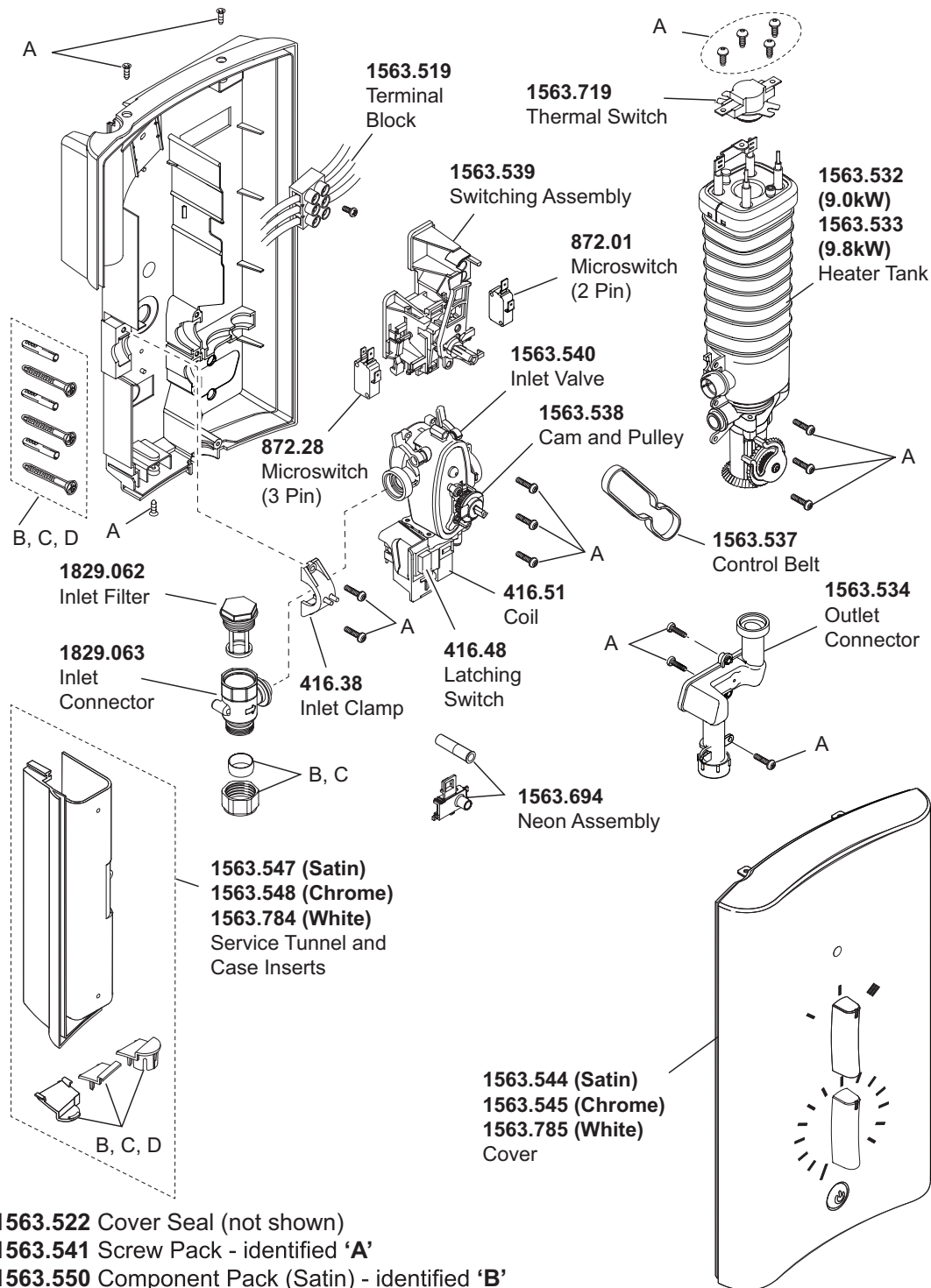


# Mira Escape

(2005 - Current J95Hb, H, Hc, G 9.0kW & 9.8kW)

1.1563.730 / 1.1563.729 / 1.1563.011 / 1.1563.012



Mira electric showers are provided with a two year warranty and spare parts are available free of charge during that period with a valid proof of purchase. For showers outside of the warranty period, spare parts are available to purchase direct, alternatively we have Mira technicians who can repair your shower for you. For further information visit [www.mirashowers.co.uk](http://www.mirashowers.co.uk) or to check availability of spare parts for this shower or enquire about our repair service please contact our customer service on **0844 571 5000**.

